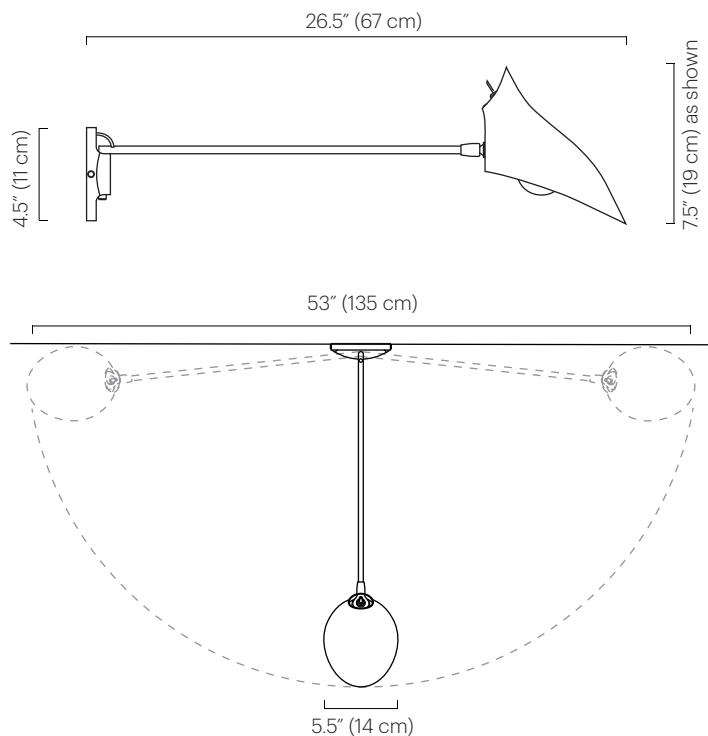


One Arm Sconce

TECHNICAL SPECIFICATIONS

No. 202



Description

The One Arm Sconce features a single arm affixed to a solid wood wall mount and steel mounting ring. The arm swings from side to side with a handspun aluminum Bottle shade. The shade rotates 320° to cast light directionally.

Materials

Shade: Powder coated aluminum
Wall Mount: Finished wood
Arm: Plated steel
Mounting Ring: Plated steel

Shade Color

- Black Satin (ivory satin interior)
- Grey Gloss (ivory satin interior)
- Ivory Satin (ivory satin interior)
- White Satin (white satin interior)

Custom colors available.

Finish

- Polished Nickel
- Brushed Brass

Custom finishes available.

Weight

5 lbs (2.3 kg)

Wall Mount

(matches specified shade)

- Black Satin: Opaque paint on maple
- Grey Gloss: Opaque paint on maple
- Ivory Satin: Opaque paint on maple

Also available:

- Natural Walnut (clear finish)
- Natural Maple (clear finish)

Lamping

120V: A19 or A15 medium base 60W max
220-240V: E14 base golf ball 60W max
Note: Bulbs not included.
Halogen bulbs not recommended.

Wattage

60 watts max

Remarks

UL listed.
Hardwired is standard.
Custom cord & plug available.
Cord color is black.
120V: Switch is on shade.
220-240V: Hardwired to wall; no switch on shade.
Custom arm length available (36" max).
Mounting ring matches arm finish.
Walnut and maple wood mounts will vary in color from fixture to fixture.
Indoor use and dry locations only.

Dimensions

Arm Length: 26.5" (67 cm)
Wingspan: 53" (135 cm)
Wall mount diameter: 4.5" (11 cm)
Shade: 8.5" H x 5.5" W 8.5" D
(22 H x 14 W x 22 cm D)

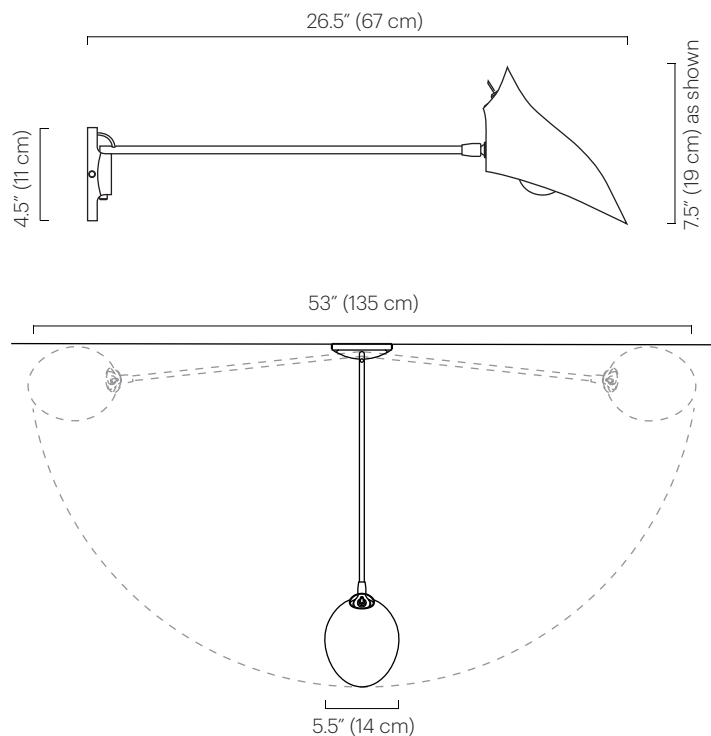


**David
Weeks
Studio**

STUDIO
1818 Atlantic Ave.
Brooklyn, NY 11233
212 966 3433

sales@DavidWeeksStudio.com
www.DavidWeeksStudio.com

No. 202



Description

The One Arm Sconce features a single arm affixed to a solid wood wall mount and steel mounting ring. The arm swings from side to side with a handspun aluminum Bottle shade. The shade rotates 320° to cast light directionally.

Materials

Shade: Powder coated aluminum
 Wall Mount: Finished wood
 Arm: Plated steel
 Mounting Ring: Plated steel

Shade Color

- Black Satin (ivory satin interior)
- White Satin (ivory satin interior)

Finish

- Polished Nickel
- Brushed Brass

Weight

5 lbs (2.3 kg)

Wall Mount

(matches specified shade)
 ● Black Satin: Opaque paint on maple
 ○ White Satin: Opaque paint on maple

Lamping

120V: A19 or A15 medium base 60W max
 Note: Bulbs not included.
 Halogen bulbs not recommended.

Wattage

60 watts max

Remarks

UL listed.
 Hardwired is standard.
 120V: Switch is on shade.
 Mounting ring matches arm finish.
 Walnut and maple wood mounts will vary in color from fixture to fixture.
 Indoor use and dry locations only.

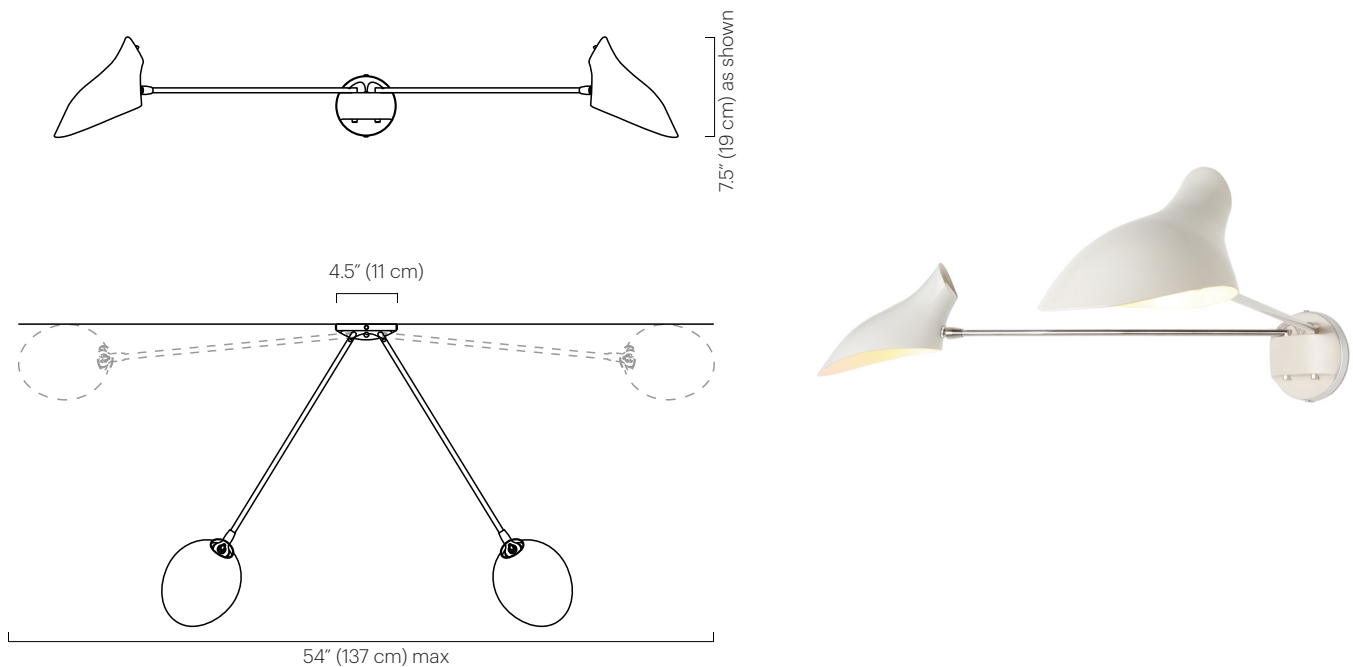
Dimensions

Arm Length: 26.5" (67 cm)
 Wingspan: 53" (135 cm)
 Wall mount diameter: 4.5" (11 cm)
 Shade: 8.5" H x 5.5" W 8.5" D
 (22 H x 14 W x 22 cm D)

Two Arm Sconce

TECHNICAL SPECIFICATIONS

No. 203



Description

The Two Arm Sconce features dual arms affixed to a solid wood wall mount and steel mounting ring. The arms swing from side to side with handspun aluminum Bottle shades. The shades rotate 320° to cast light directionally.

Materials

Shade: Powder coated aluminum
Wall Mount: Finished wood
Arm: Plated steel
Mounting Ring: Plated steel

Shade Color

- Black Satin (ivory satin interior)
- Grey Gloss (ivory satin interior)
- Ivory Satin (ivory satin interior)
- White Satin (white satin interior)

Custom colors available.

Finish

- Polished Nickel
- Brushed Brass

Custom finishes available.

Weight

5 lbs (2.3 kg)

Wall Mount

(matches specified shade)

- Black Satin: Opaque paint on maple
- Grey Gloss: Opaque paint on maple
- Ivory Satin: Opaque paint on maple

Also available:

- Natural Walnut (clear finish)
- Natural Maple (clear finish)

Lamping

120V: (2)A19 or A15 medium base 60W max
220-240V: (2)E14 base golf ball 60W max
Note: Bulbs not included.
Halogen bulbs not recommended.

Wattage

120 watts max

Remarks

UL listed.
Hardwired is standard.
Custom cord & plug available.
Cord color is black.
120V: Switch is on shade.
220-240V: Hardwired to wall; no switch on shade.
Custom arm length available (36" max).
Mounting ring matches arm finish.
Walnut and maple wood mounts will vary in color from fixture to fixture.
Indoor use and dry locations only.

Dimensions

Arm Length: 26.5" (67 cm)
Wingspan: 54" (137 cm)
Wall mount diameter: 4.5" (11 cm)
Shade: 8.5" H x 5.5" W 8.5" D
(22 H x 14 W x 22 cm D)

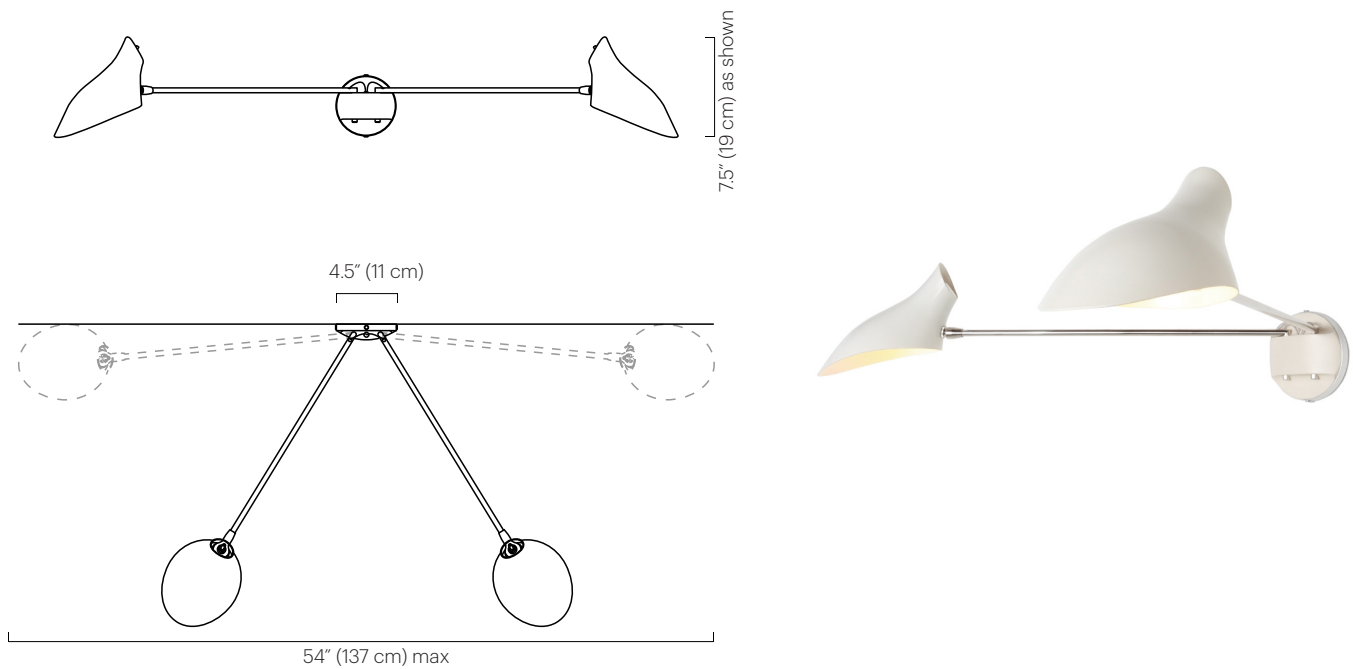
**David
Weeks
Studio**



STUDIO
1818 Atlantic Ave.
Brooklyn, NY 11233
212 966 3433

sales@DavidWeeksStudio.com
www.DavidWeeksStudio.com

No. 203



Description

The Two Arm Sconce features dual arms affixed to a solid wood wall mount and steel mounting ring. The arms swing from side to side with handspun aluminum Bottle shades. The shades rotate 320° to cast light directionally.

Materials

Shade: Powder coated aluminum
 Wall Mount: Finished wood
 Arm: Plated steel
 Mounting Ring: Plated steel

Shade Color

- Black Satin (ivory satin interior)
- White Satin (ivory satin interior)

Finish

- Polished Nickel

Weight

5 lbs (2.3 kg)

Wall Mount

(matches specified shade)
 ● Black Satin: Opaque paint on maple
 ○ White Satin: Opaque paint on maple

Lamping

120V: A19 or A15 medium base 60W max
 Note: Bulbs not included.
 Halogen bulbs not recommended.

Wattage

120 watts max

Remarks

UL listed.
 Hardwired is standard.
 120V: Switch is on shade.
 Mounting ring matches arm finish.
 Walnut and maple wood mounts will vary in color from fixture to fixture.
 Indoor use and dry locations only.

Dimensions

Arm Length: 26.5" (67 cm)
 Wingspan: 54" (137 cm)
 Wall mount diameter: 4.5" (11 cm)
 Shade: 8.5" H x 5.5" W 8.5" D
 (22 H x 14 W x 22 cm D)