

Thank you for your purchase of a David Weeks Studio lighting fixture. We use only the highest quality UL compliant components from the USA and Europe. Each lamp is fabricated and assembled in our Brooklyn, NY shop. We make every effort to produce our lights to the highest standards.

Treble Sconce

No 218 INSTALL INSTRUCTIONS

Warranty

- David Weeks Studio (DWS) will guarantee its products to be free from defects in workmanship for a period of five (5) years from date of shipment. Parts and materials are guaranteed to be free of defects for one (1) year from date of shipment. During this warranty period, DWS will repair or replace, at its option, free of charge, products or parts that are proven to be defective. This warranty does not apply to damages resulting from accident, abuse, alteration, tampering, misuse, mishandling, or negligence. Defective products will be replaced within the normal production time period required to reorder and manufacture the same product.
- Transportation of fixtures in need of repair will be the responsibility of buyer. Handling of fixtures in transport will be the responsibility of buyer. DWS will not be held responsible for damages which occur during installation, or by transportation after the initial packing material is removed. DWS will not be responsible for any products subjected to inappropriate application or fixtures installed or modified in any way that is not in accordance with DWS instructions. Any modification of fixtures absolves DWS of any liability and voids warranty.

Important!

- Before installation ensure power supply is disconnected at fuse box.
- Fixtures are designed for normal climate conditions.
- Lighting is for use in dry locations and indoor environments.
- This lamp must be installed in accordance with the applicable installation code by a person familiar with the construction and operation of the product and the hazards involved.

Care Instructions

- Arms, hardware and shades can be cleaned with any mild spray cleaner or soft cloth to remove fingerprints or dust. Do not touch or clean LEDs.

Electrical Wires

- Positive = Red / Black (US)
- Negative = Black / White (US)
- Ground/Earth = Copper/Green (US)

Power Supply

- For 120V areas: included for J-box.
- **For 220-240V areas: remote power supply only. Not included. To be sourced locally per specification on product data sheet.**
- **DO NOT wire directly without remote power supply.**

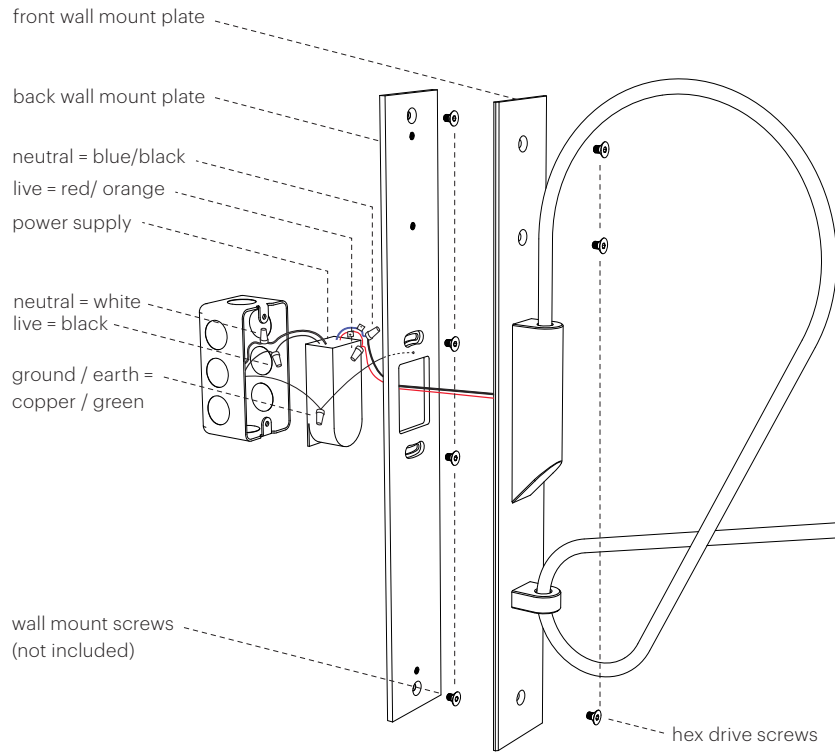
Lamping

- Integrated LED

Tools

- Round Head Allen Key

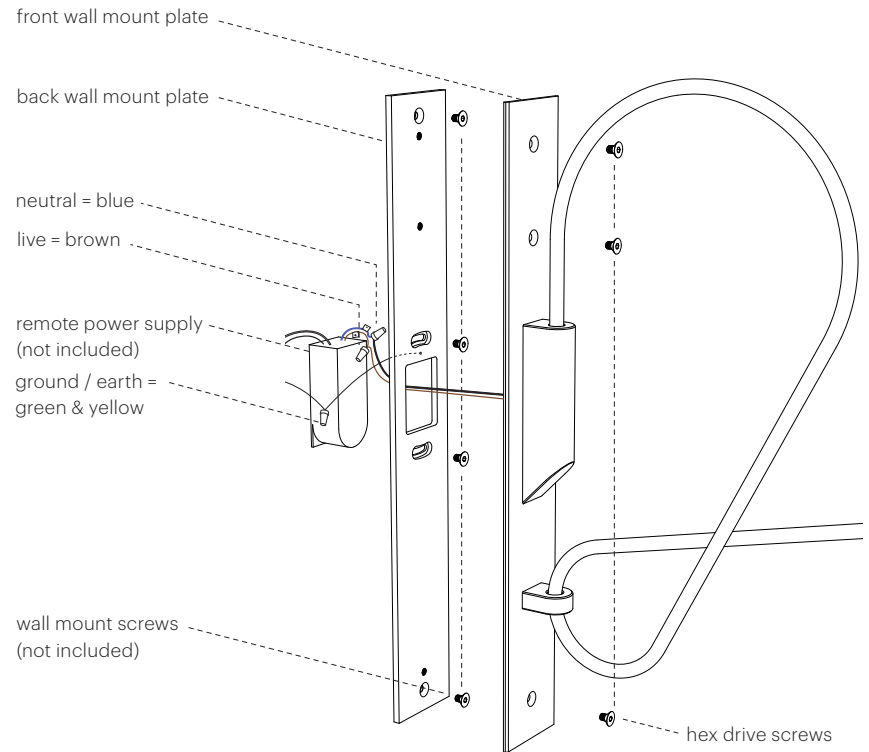
120V areas



1. All fixtures are built for 2" x 4" U.S. vertical switch box.
2. You will need two people for installation. Fixture weighs approximately 10 lbs. Make sure location has adequate support.
3. Leave shade in box until instructed. Shade box includes glass, handle with care. Turn off circuit breaker connected to the switch box where fixture is being installed.

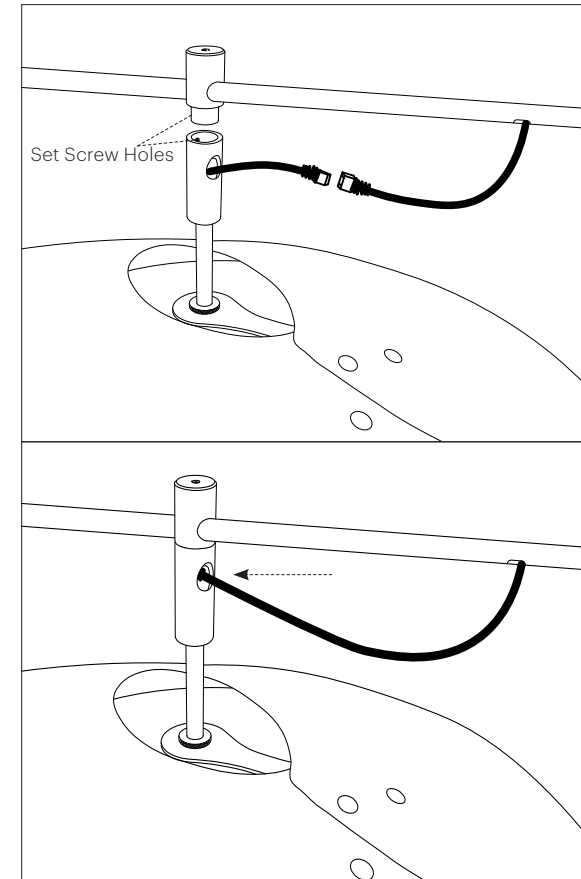
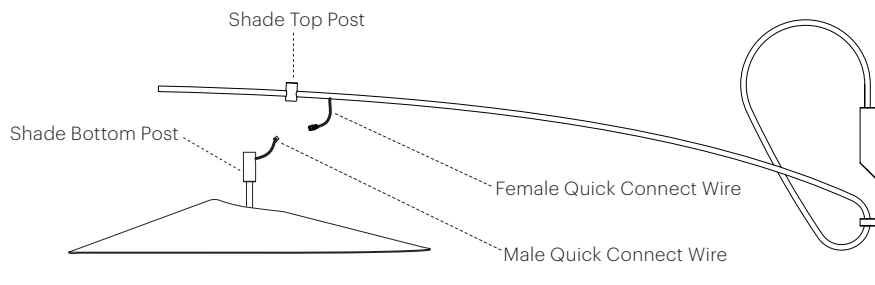
4. Remove the back wall mount plate from the front wall mount plate by unscrewing the 3 hex drive screws using included Allen Key on the top and bottom of the front wall mount plate.
5. Use back wall mount plate to template on wall where fixture will be located and mark wall mount screw holes with pencil to assist install.
6. Connect corresponding wires from the

220-240V areas



- switch box to the power supply, use wire nuts to secure wires, and wrap connections in electrical tape. Tuck the power supply into the switch box carefully. Run the output wires from the power supply through the center hole of the back wall mount plate. Then attach the back wall mount plate to the switch box and wall with 4 wall mount screws (not included), heavy duty anchors recommended.
7. Have a second person hold the sconce.

- Connect each wire to corresponding wire between power supply and lamp: live to live, neutral to neutral, and ground to ground. Use wire nuts to secure wires, and wrap connections in electrical tape. **DO NOT** wire directly, must use suggested power supply.
8. Tuck wire nuts into the switch box carefully. Place sconce over the back wall mount plate, and attach using the 3 hex drive screws, tighten with provided rounded Allen Key.



1. Remove shade from box. Shade box includes glass, handle with care. Keep the bubble wrap located between the glass inside the shade until install is completed.
2. Orient the shade post so that the set screw holes are aligned then gently insert the bottom post into the top post. Once holes are aligned, secure the set screw using an Allen Key so that it is flush.
3. Once shade post is attached, connect the female and male quick connect wires. Slide the excess wire and connection point into the shade bottom post hole until you can no longer see the connection point. See diagram above.
4. Once shade is secured, carefully remove bubble wrap located between the glass inside shade. DO NOT use razor blade to open bubble wrap; shades scratch easily.
5. Glass diffuser in shade may move during travel. To put the diffuser back in place, gently shift glass so that it falls into the lip of the heat sink. Be careful of LED board.