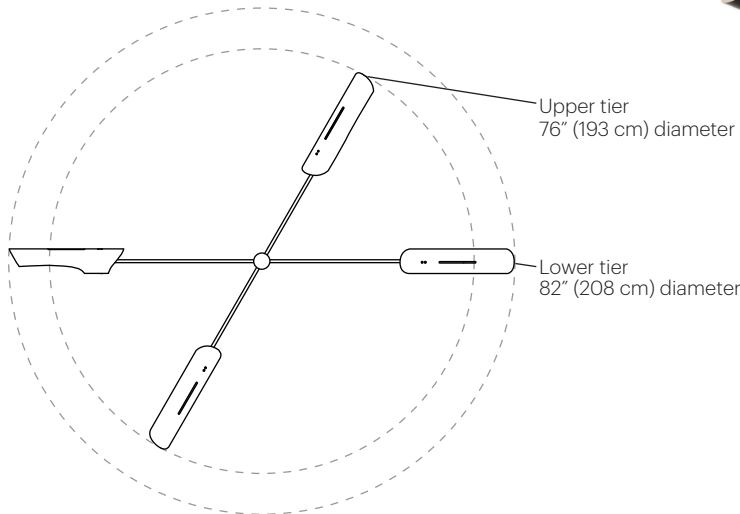
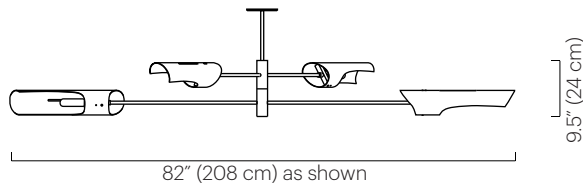


Torroja Tiered Pendant, 2 Tier

TECHNICAL SPECIFICATIONS

No. 425



Description

The Torroja Tiered Pendant features a plated frame customizable by the number and length of the tiers. Each tier consists of two shades. Tiers scissor open and are adjustable on site. Shades rotate 320° to cast light directionally.

Materials

Shades: Powder coated aluminum
 Frame: Plated steel
 Ceiling mount: Powder coated steel
 Drop: Plated steel

Shade Color

- Black Satin (ivory satin interior)
- Ivory Satin (ivory satin interior)
- White Satin (white satin interior)

Custom colors available.

Finish

- Polished Nickel
- Brushed Brass
- Oil Rubbed Bronze

Custom finishes available.

Lamping (Two shades per tier)

120V: (2)T10 tubular incandescent medium base 60W max
 220-240V: (2)E27 base (tubular 32mm suggested) 60W max
 Note: Bulbs not included.
 Halogen bulbs not recommended.

Wattage

120 watts max per tier

Weight

13 lbs (6 kg)

Remarks

Specify drop length.
 Fixed drop not adjustable on site.
 Each tier has two shades.
 Specify tier lengths.
 Ceiling mount consistent with shade color.

Remarks continued

Additional weight support recommended for junction box installation.
 Indoor use and dry locations only.

Dimensions

Standard tier diameters:
 52" / 65" / 76" / 82"
 (132 cm / 165 cm / 193 cm / 208 cm)
 or specify custom tier diameters.
 Min. length of tier: 48" (122 cm)
 Max. length of tier: 120" (305 cm)
 Shade: 4" Ø x 18.5" L
 (10 Ø x 47 cm L)
 Ceiling mount diameter: 5" (13 cm)
 Minimum overall height:
 11" (28 cm)



**David
 Weeks
 Studio**

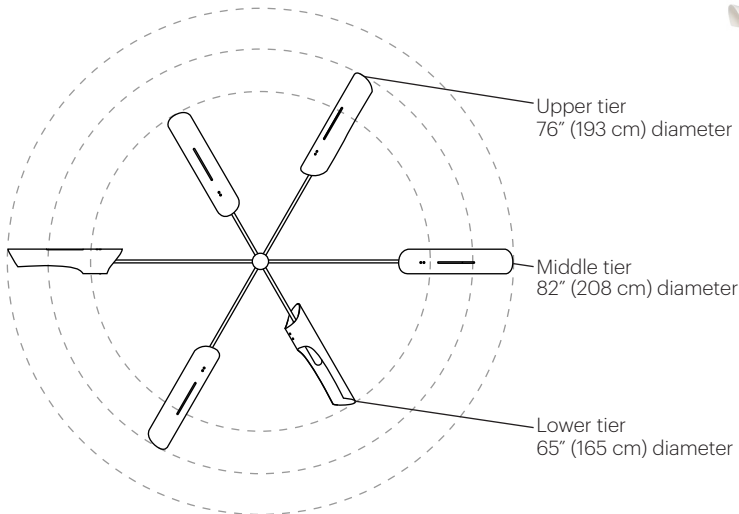
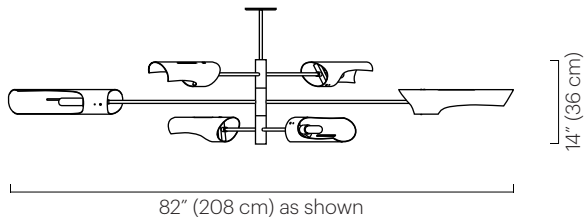
STUDIO
 1818 Atlantic Ave.
 Brooklyn, NY 11233
 212 966 3433

sales@DavidWeeksStudio.com
 www.DavidWeeksStudio.com

Torroja Tiered Pendant, 3 Tier

TECHNICAL SPECIFICATIONS

No. 425



Description

The Torroja Tiered Pendant features a plated frame customizable by the number and length of the tiers. Each tier consists of two shades. Tiers scissor open and are adjustable on site. Shades rotate 320° to cast light directionally.

Materials

Shades: Powder coated aluminum
 Frame: Plated steel
 Ceiling mount: Powder coated steel
 Drop: Plated steel

Shade Color

- Black Satin (ivory satin interior)
- Ivory Satin (ivory satin interior)
- White Satin (white satin interior)

Custom colors available.

Finish

- Polished Nickel
- Brushed Brass
- Oil Rubbed Bronze

Custom finishes available.

Lamping (Two shades per tier)

120V: (2)T10 tubular incandescent medium base 60W max
 220-240V: (2)E27 base (tubular 32mm suggested) 60W max
 Note: Bulbs not included.
 Halogen bulbs not recommended.

Wattage

120 watts max per tier

Weight

18 lbs (8 kg)

Remarks

Specify drop length.
 Fixed drop not adjustable on site.
 Each tier has two shades.
 Specify tier lengths.
 Ceiling mount consistent with shade color.

Remarks continued

Additional weight support recommended for junction box installation.
 Indoor use and dry locations only.

Dimensions

Standard tier diameters:
 52" / 65" / 76" / 82"
 (132 cm / 165 cm / 193 cm / 208 cm)
 or specify custom tier diameters.
 Min. length of tier: 48" (122 cm)
 Max. length of tier: 120" (305 cm)
 Shade: 4" Ø x 18.5" L
 (10 Ø x 47 cm L)
 Ceiling mount diameter: 5" (13 cm)
 Minimum overall height:
 15.5" (39 cm)

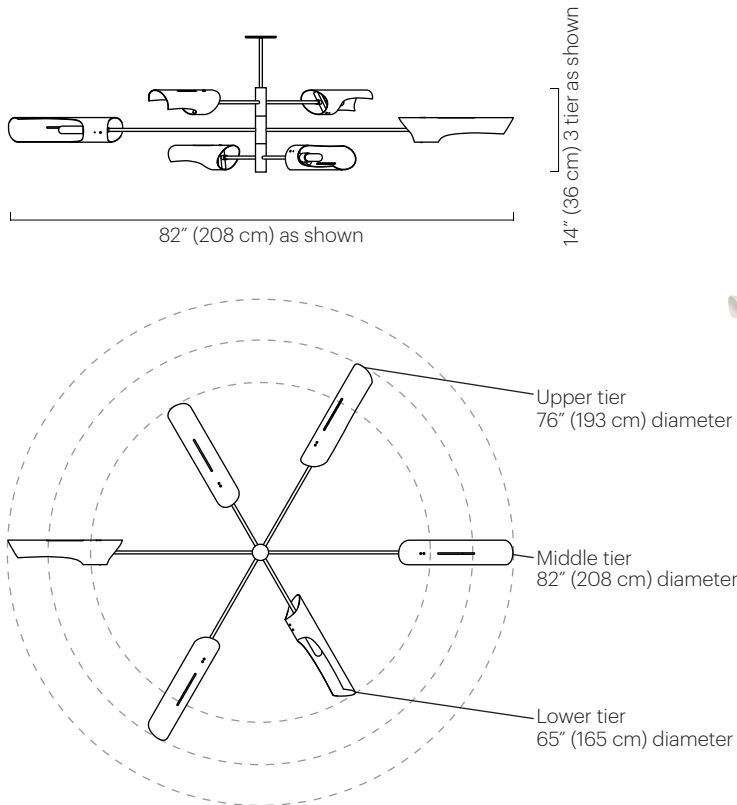


**David
 Weeks
 Studio**

STUDIO
 1818 Atlantic Ave.
 Brooklyn, NY 11233
 212 966 3433

sales@DavidWeeksStudio.com
 www.DavidWeeksStudio.com

No. 425



Shown above with three tiers

Description

The Torroja Tiered Pendant features a plated frame customizable by the number and length of the tiers. Each tier consists of two shades. Tiers scissor open and are adjustable on site. Shades rotate 320° to cast light directionally.

Materials

Shades: Powder coated aluminum
 Frame: Plated steel
 Ceiling mount: Powder coated steel
 Drop: Plated steel

Shade Color

- Black Satin (ivory satin interior)
- White Satin (ivory satin interior)

Finish

- Polished Nickel

Lamping (Two shades per tier)

120V: (2)T10 tubular incandescent medium base 60W max
 Note: Bulbs not included.
 Halogen bulbs not recommended.

Wattage

120 watts max per tier

Weight

Weight varies; depending on number of tiers and dimensions.
 3-tier fixture: approx. 18 lbs (8 kg)

Remarks

Each tier has two shades. Ceiling mount consistent with shade color. Additional weight support recommended for junction box installation. Indoor use and dry locations only.

Dimensions

Standard tier diameters:
 52" / 65" / 76" / 82"
 (132 cm / 165 cm / 193 cm / 208 cm)
 Shade: 4" Ø x 18.5" L
 (10 Ø x 47 cm L)
 Ceiling mount diameter: 5" (13 cm)
 Minimum overall height:
 Three tiers: 15.5" (39 cm)

