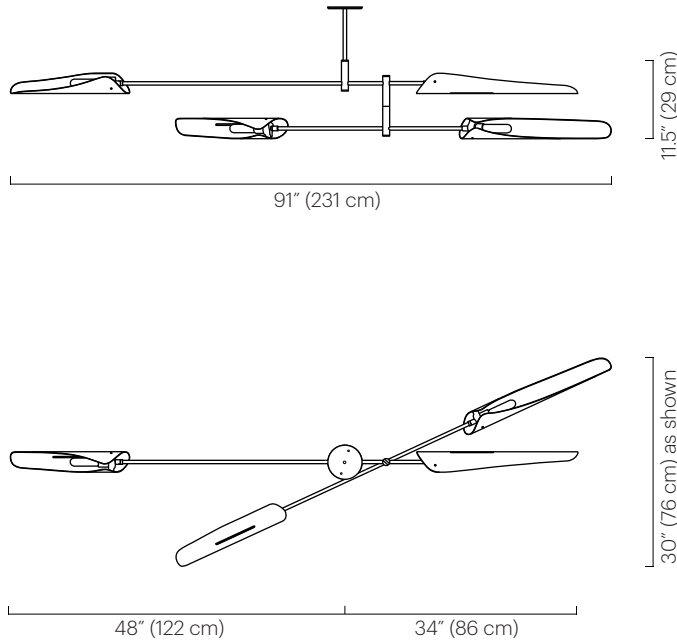


# Sarus Mobile, 2 Tier

## TECHNICAL SPECIFICATIONS

No. 428



### Description

The Sarus Mobile is a carefully balanced fixture, featuring two tiers of differing lengths. Each tier has one large and one small Sarus shade. Tiers scissor open when installed; arrangement is adjustable on site. Shades swivel 320° to cast light directionally.

### Materials

Shades: Powder coated aluminum  
 Frame: Plated steel  
 Ceiling mount: Powder coated steel  
 Drop: Plated steel

### Shade Color

- Black Satin (ivory satin interior)
- Grey Gloss (ivory satin interior)
- Ivory Satin (ivory satin interior)
- White Satin (white satin interior)

Custom colors available.

### Finish

- Polished Nickel
- Brushed Brass
- Oil Rubbed Bronze

Custom finishes available.

### Lamping

120V: (4)T10 tubular incandescent medium base 60W max  
 220-240V: (4)E27 base (tubular 32mm suggested) 60W max  
 Note: Bulbs not included.  
 Halogen bulbs not recommended.

### Wattage

240 watts max

### Weight

15 lbs (6.8 kg)

### Remarks

Specify drop length. Fixed drop not adjustable on site. Tier lengths cannot be customized. Each tier has two shades. Ceiling mount consistent with shade color. Additional weight support recommended for junction box installation. Indoor use and dry locations only.

### Dimensions

Tier 1: 82" (208 cm)  
 Tier 2: 69" (175 cm)  
 Ceiling mount diameter: 5" (13 cm)  
 Minimum overall height: 12.5" (32 cm)  
 Large Shade: 23" L x 3" Ø (58 L x 8 Ø cm)  
 Small Shade: 18" L x 3" Ø (46 L x 8 Ø cm)

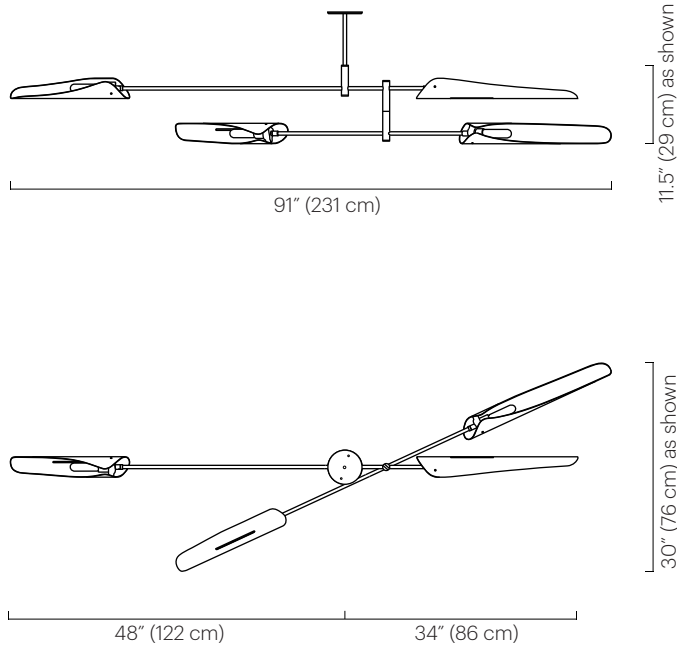


**David  
 Weeks  
 Studio**

**STUDIO**  
 1818 Atlantic Ave.  
 Brooklyn, NY 11233  
 212 966 3433

sales@DavidWeeksStudio.com  
 www.DavidWeeksStudio.com

No. 428



**Description**

The Sarus Mobile is a carefully balanced fixture, featuring two tiers of differing lengths. Each tier has one large and one small Sarus shade. Tiers scissor open when installed; arrangement is adjustable on site. Shades swivel 320° to cast light directionally.

**Materials**

Shades: Powder coated aluminum  
 Frame: Plated steel  
 Ceiling mount: Powder coated steel  
 Drop: Plated steel

**Shade Color**

- Black Satin (ivory satin interior)
- White Satin (ivory satin interior)

**Finish**

- Polished Nickel

**Lamping**

120V: (4)T10 tubular incandescent medium base  
 60W max  
 Note: Bulbs not included.  
 Halogen bulbs not recommended.

**Wattage**

240 watts max

**Weight**

15 lbs (6.8 kg)

**Remarks**

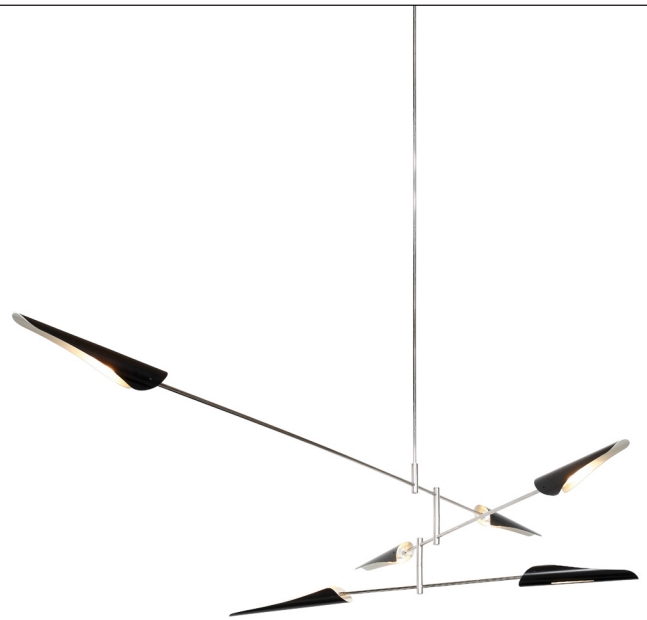
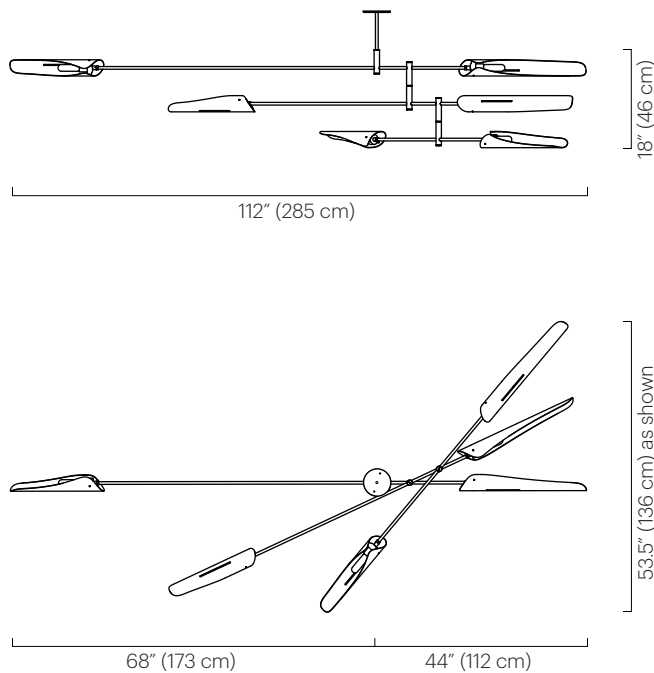
Each tier has two shades. Ceiling mount consistent with shade color. Additional weight support recommended for junction box installation. Indoor use and dry locations only.

**Dimensions**

Tier 1: 82" (208 cm)  
 Tier 2: 69" (175 cm)  
 Ceiling mount diameter: 5" (13 cm)  
 Minimum overall height: 12.5" (32 cm)  
 Large Shade: 23" L x 3" Ø (58 L x 8 Ø cm)  
 Small Shade: 18" L x 3" Ø (46 L x 8 Ø cm)



No. 428



### Description

The Sarus Mobile is a carefully balanced fixture, featuring three tiers of differing lengths. Each tier has one large and one small Sarus shade. Tiers scissor open when installed; arrangement is adjustable on site. Shades swivel 320° to cast light directionally.

### Materials

Shades: Powder coated aluminum  
 Frame: Plated steel  
 Ceiling mount: Powder coated steel  
 Drop: Plated steel

### Shade Color

- Black Satin (ivory satin interior)
- Grey Gloss (ivory satin interior)
- Ivory Satin (ivory satin interior)
- White Satin (white satin interior)

Custom colors available.

### Finish

- Polished Nickel
- Brushed Brass
- Oil Rubbed Bronze

Custom finishes available.

### Lamping

120V: (6)T10 tubular incandescent medium base 60W max  
 220-240-V: (6)E27 base (tubular 32mm suggested) 60W max  
 Note: Bulbs not included. Halogen bulbs not recommended.

### Wattage

360 watts max

### Weight

25 lbs (11.3 kg)

### Remarks

Specify drop length.  
 Fixed drop not adjustable on site.  
 Tier lengths cannot be customized.  
 Due to the length of tiers, a natural arc occurs on the longest tier.

### Remarks continued

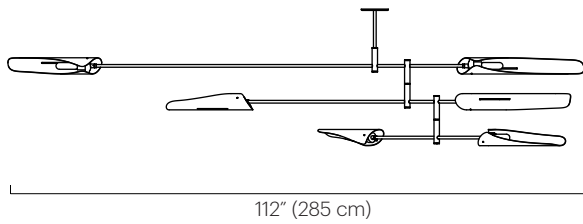
Each tier has two shades.  
 Ceiling mount consistent with shade color.  
 Additional weight support recommended for junction box installation.  
 Indoor use and dry locations only.

### Dimensions

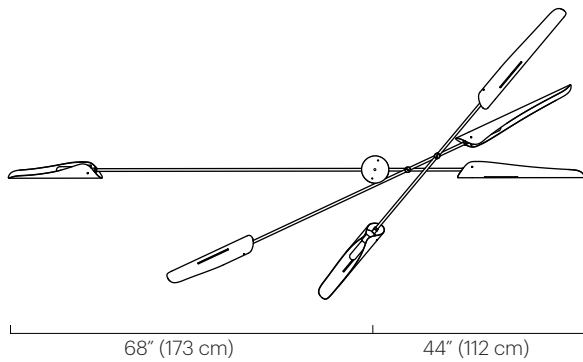
Tier 1: 112" (285 cm)  
 Tier 2: 82" (208 cm)  
 Tier 3: 69" (175 cm)  
 Ceiling mount diameter: 5" (13 cm)  
 Minimum overall height: 19" (48 cm)  
 Large Shade: 23" L x 3" Ø (58 L x 8 Ø cm)  
 Small Shade: 18" L x 3" Ø (46 L x 8 Ø cm)



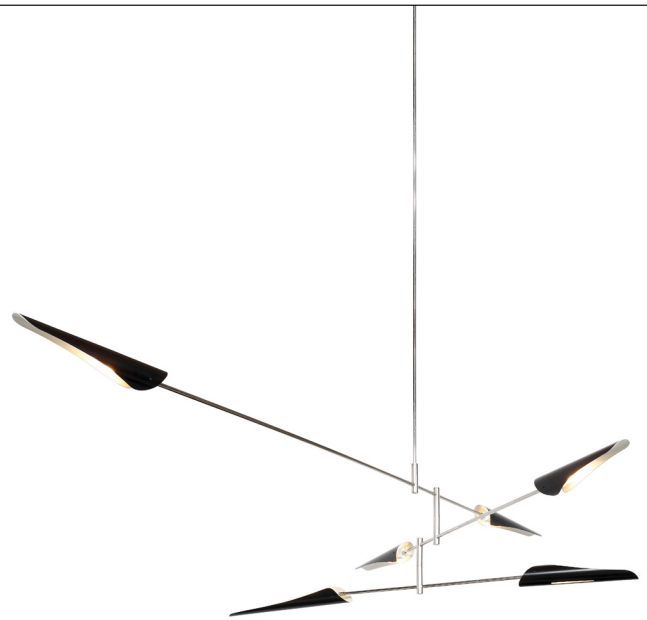
No. 428



18" (46 cm) as shown



53.5" (136 cm) as shown



**Description**

The Sarus Mobile is a carefully balanced fixture, featuring three tiers of differing lengths. Each tier has one large and one small Sarus shade. Tiers scissor open when installed; arrangement is adjustable on site. Shades swivel 320° to cast light directionally.

**Materials**

Shades: Powder coated aluminum  
 Frame: Plated steel  
 Ceiling mount: Powder coated steel  
 Drop: Plated steel

**Shade Color**

- Black Satin (ivory satin interior)
- White Satin (ivory satin interior)

**Finish**

- Polished Nickel

**Lamping**

120V; (6)T10 tubular incandescent medium base 60W max  
 Note: Bulbs not included. Halogen bulbs not recommended.

**Wattage**

360 watts max

**Weight**

25 lbs (11.3 kg)

**Remarks**

Each tier has two shades. Ceiling mount consistent with shade color. Additional weight support recommended for junction box installation. Indoor use and dry locations only.

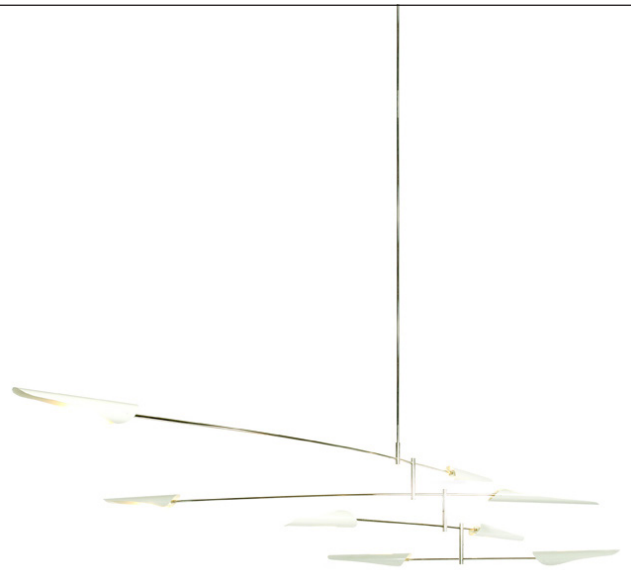
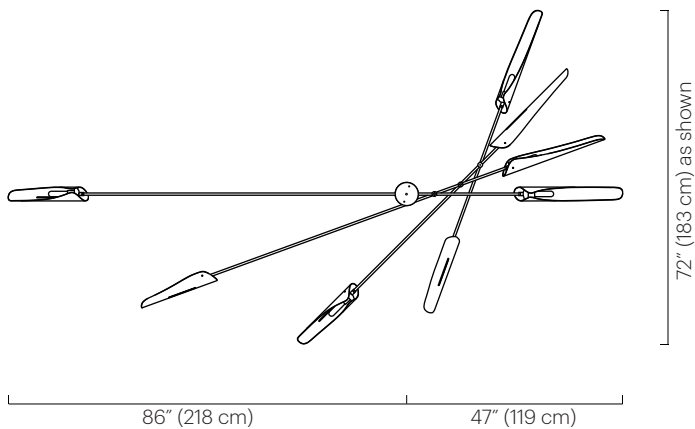
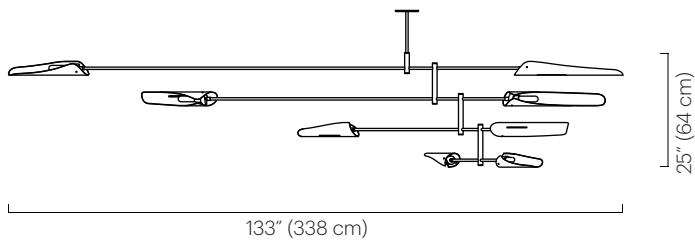
**Dimensions**

Tier 1: 112" (285 cm)  
 Tier 2: 82" (208 cm)  
 Tier 3: 69" (175 cm)  
 Ceiling mount diameter: 5" (13 cm)  
 Minimum overall height: 19" (48 cm)  
 Large Shade: 23" L x 3" Ø (58 L x 8 Ø cm)  
 Small Shade: 18" L x 3" Ø (46 L x 8 Ø cm)

# Sarus Mobile, 4 Tier

## TECHNICAL SPECIFICATIONS

No. 428



### Description

The Sarus Mobile is a carefully balanced fixture, featuring four tiers of differing lengths. Each tier has one large and one small Sarus shade. Tiers scissor open when installed; arrangement is adjustable on site. Shades swivel 320° to cast light directionally.

### Materials

Shades: Powder coated aluminum  
 Frame: Plated steel  
 Ceiling mount: Powder coated steel  
 Drop: Plated steel

### Mount & Shade Color

- Black Satin (ivory satin interior)
- Grey Gloss (ivory satin interior)
- Ivory Satin (ivory satin interior)
- White Satin (white satin interior)

Custom colors available.

### Finish

- Polished Nickel
- Brushed Brass
- Oil Rubbed Bronze

Custom finishes available.

### Lamping

120V: (8)T10 tubular incandescent medium base 60W max  
 220-240V: (8)E27 base (tubular 32mm suggested) 60W max  
 Note: Bulbs not included. Halogen bulbs not recommended.

### Wattage

480 watts max

### Weight

35 lbs (15.8 kg)

### Remarks

Specify drop length.  
 Fixed drop not adjustable on site.  
 Tier lengths cannot be customized.  
 Due to the length of tiers, a natural arc occurs on the two longest tiers.

### Remarks continued

Each tier has two shades. Ceiling mount consistent with shade color. Additional weight support recommended for junction box installation. Indoor use and dry locations only.

### Dimensions

Tier 1: 133" (338 cm)  
 Tier 2: 112" (285 cm)  
 Tier 3: 82" (208 cm)  
 Tier 4: 69" (175 cm)  
 Ceiling mount diameter: 5" (13 cm)  
 Minimum overall height: 26" (66 cm)  
 Large Shade: 23" L x 3" Ø (58 L x 8 Ø cm)  
 Small Shade: 18" L x 3" Ø (46 L x 8 Ø cm)



**David  
 Weeks  
 Studio**

**STUDIO**  
 1818 Atlantic Ave.  
 Brooklyn, NY 11233  
 212 966 3433

sales@DavidWeeksStudio.com  
 www.DavidWeeksStudio.com