

Thank you for your purchase of a David Weeks Studio lighting fixture. We use only the highest quality UL compliant components from the USA and Europe. Each lamp is fabricated and assembled in our Brooklyn, NY shop. We make every effort to produce our lights to the highest standards.

Treble Loop Pendant

No 451 INSTALL INSTRUCTIONS

Warranty

- David Weeks Studio (DWS) will guarantee its products to be free from defects in workmanship for a period of five (5) years from date of shipment. Parts and materials are guaranteed to be free of defects for one (1) year from date of shipment. During this warranty period, DWS will repair or replace, at its option, free of charge, products or parts that are proven to be defective. This warranty does not apply to damages resulting from accident, abuse, alteration, tampering, misuse, mishandling, or negligence. Defective products will be replaced within the normal production time period required to reorder and manufacture the same product.
- Transportation of fixtures in need of repair will be the responsibility of buyer. Handling of fixtures in transport will be the responsibility of buyer. DWS will not be held responsible for damages which occur during installation, or by transportation after the initial packing material is removed. DWS will not be responsible for any products subjected to inappropriate application or fixtures installed or modified in any way that is not in accordance with DWS instructions. Any modification of fixtures absolves DWS of any liability and voids warranty.

Important!

- Please do not remove the fixture from rigid packaging prior to installation.
- Before installation ensure power supply is disconnected at fuse box.
- Fixtures are designed for normal climate conditions.
- Lighting is for use in dry locations and indoor environments.
- This lamp must be installed in accordance with the applicable installation code by a person familiar with the construction and operation of the product and the hazards involved.

Care Instructions

- Arms, hardware and shades can be cleaned with any mild spray cleaner or soft cloth to remove fingerprints or dust. Do not touch or clean LEDs.

Power Supply

- For 120V areas: included in canopy
- **For 220-240V areas: remote power supply only. Not included. To be sourced locally per specification on product data sheet.**
- **DO NOT wire directly without remote power supply.**

Lamping

- Integrated LED

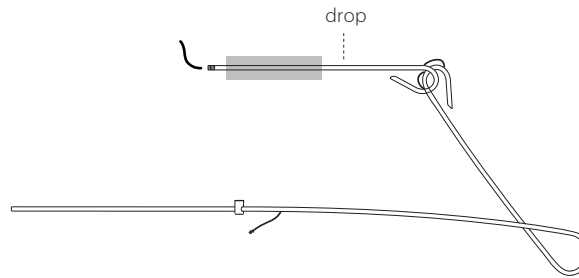
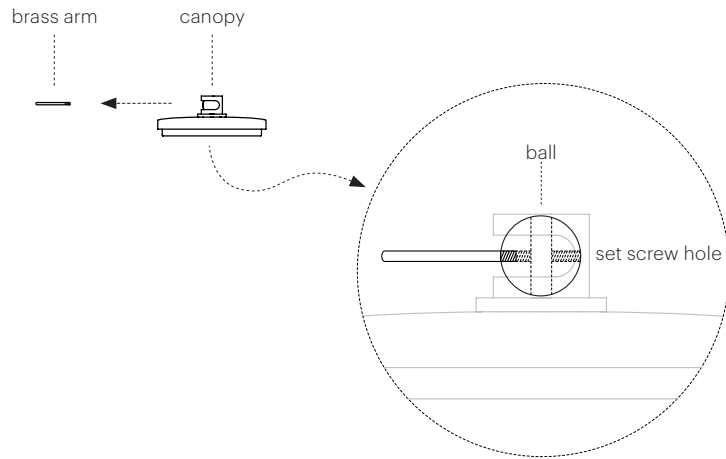
Tools

- Allen Key

Parts

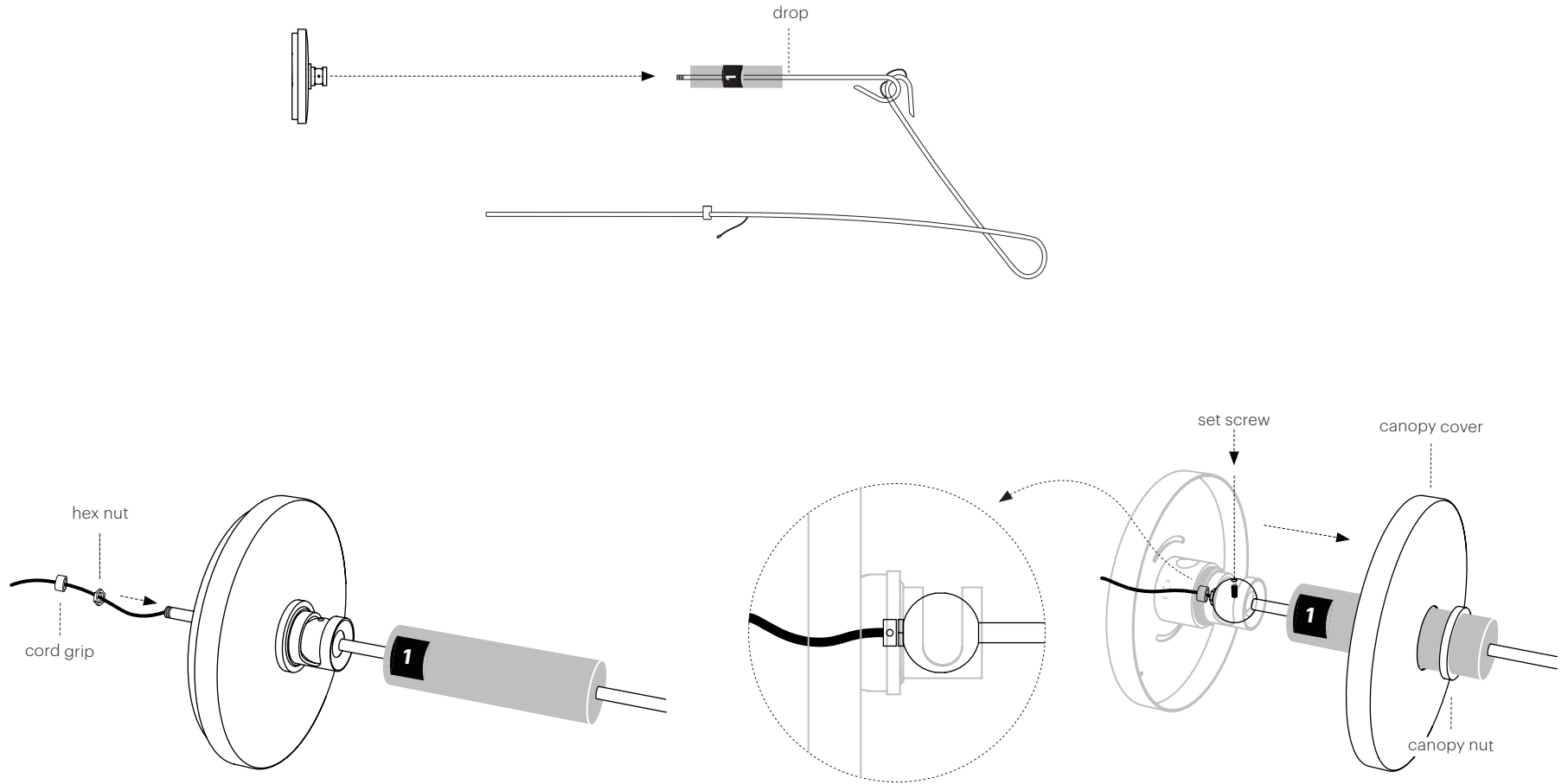
- Cord Grip
- Hex Nut

1



1. All fixtures are built for standard 4" U.S. J-box.
2. Minimum of two people are required as per instructions for proper and safe installation of fixture.
3. Fixtures weigh 10 lbs. Make sure location has adequate support; additional weight support recommended for junction box installation.
4. Leave shade in box until installation is complete. Shade box includes glass, handle with care. DO NOT use razor blade to open bubble wrap; shade scratches easily. Remove the fixture from rigid packaging.
5. Turn off circuit breaker connected to junction box (J-box) where fixture is being installed.
6. Lay fixture and canopy carefully on a padded flat surface as shown above. Make sure hooks stay linked prior to and during installation.
7. Remove all brown paper.
8. Take the canopy, unscrew the brass arm from the ball and leave the set screw in place on the other side.

2



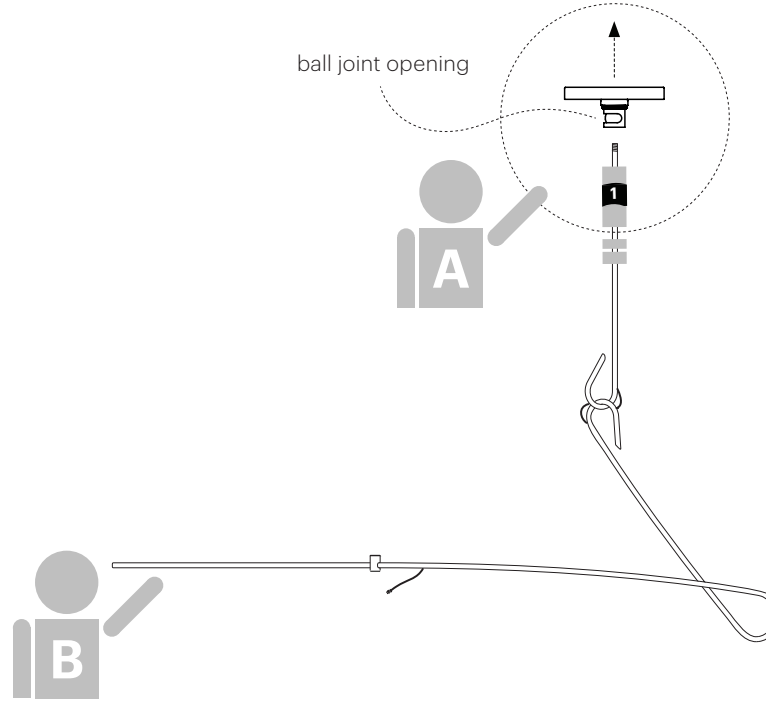
1. Carefully slide canopy over drop until drop comes out from the other side of canopy to reveal threads.

2. Screw provided hex nut to drop, secure provided cord grip to wire above hex nut and slide canopy all the way back until hex nut sits against ball.

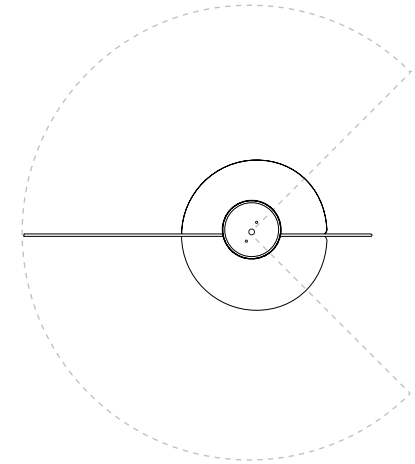
3. Find set screw hole on ball and rotate until it faces upward. Secure ball on drop by tightening set screw. This will ensure fixture has correct range of motion.

4. Unscrew canopy nut to separate canopy cover. Secure canopy cover and canopy nut on label **1** packaging.

3



Angle fixture gently to accommodate installation



1. Two people are required as per instructions for proper and safe installation of fixture.

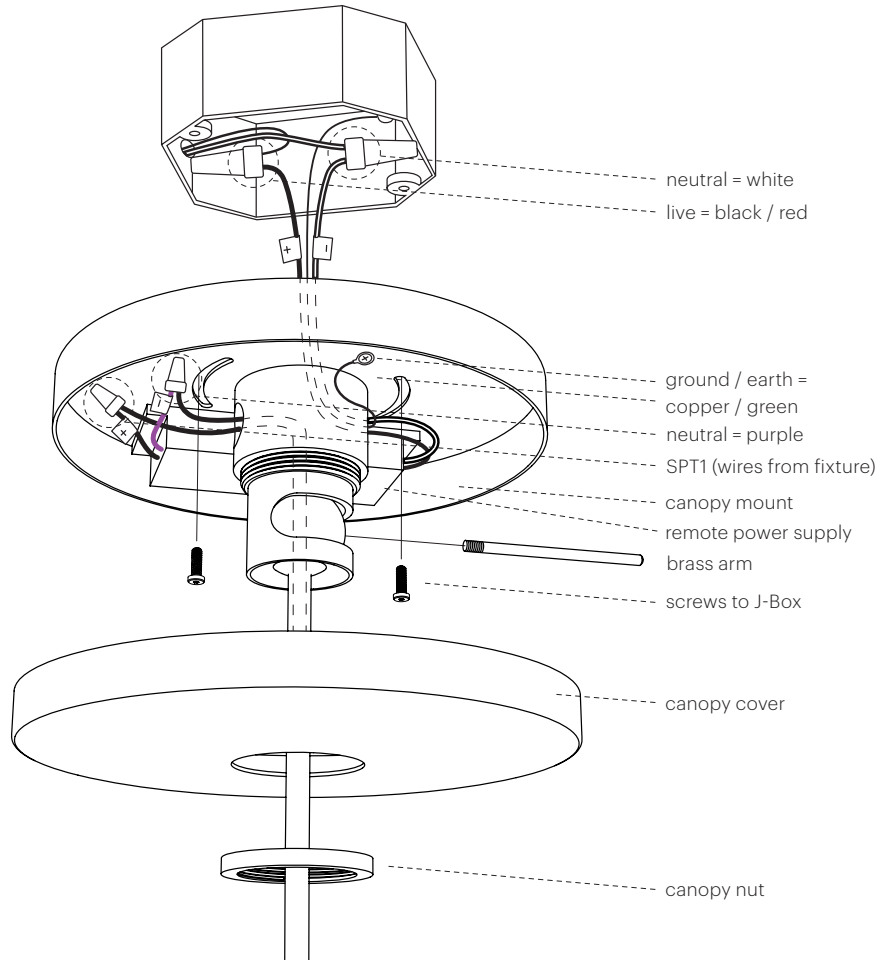
2. Person A picks up the drop, while person B lifts and holds the tier, making sure wire isn't twisted and hook is securely linked. See drawing above.

3. Person A moves the fixture slowly upward to junction box (J-Box).

4. Person A mounts the canopy to J-Box with one 8-32 screw. This will provide some support from J-box and room to complete wiring.

4

120V areas

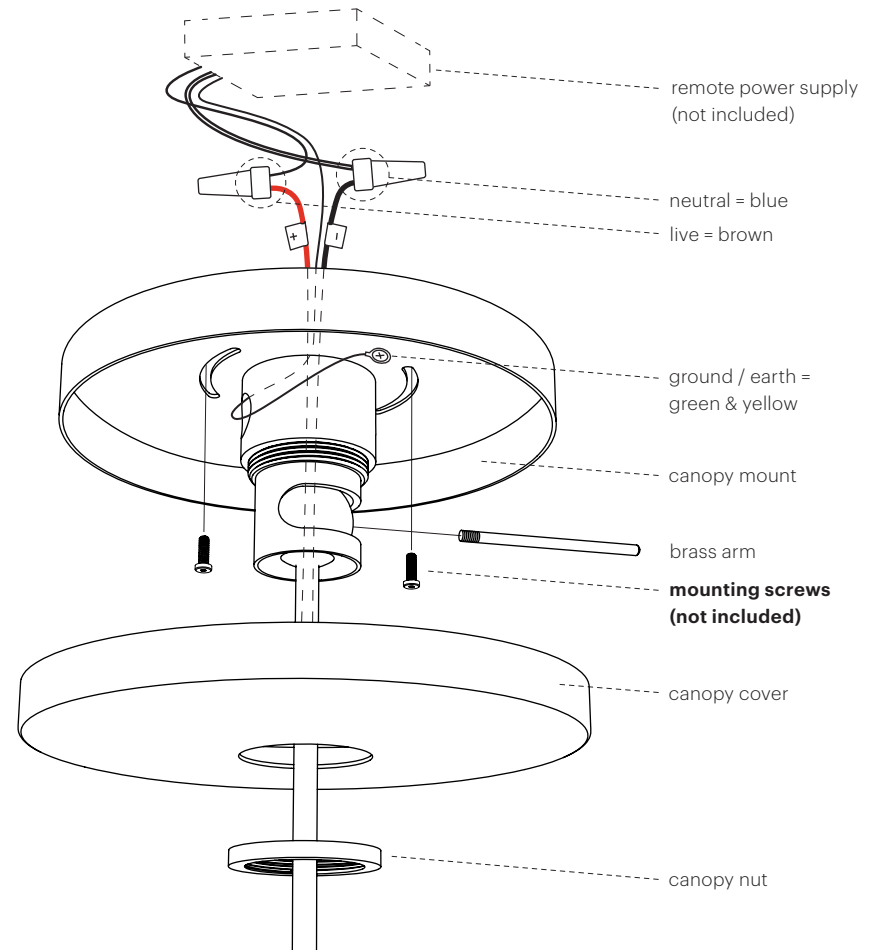


1. Continue to support fixture, and connect each wire to its corresponding wire between the power supply and the J-box: live to live, neutral to neutral, and ground to ground in J-box. Use wire nuts to secure wires, and wrap the connection in electrical tape. DO NOT disconnect the red, black, and purple wires from the power source to the

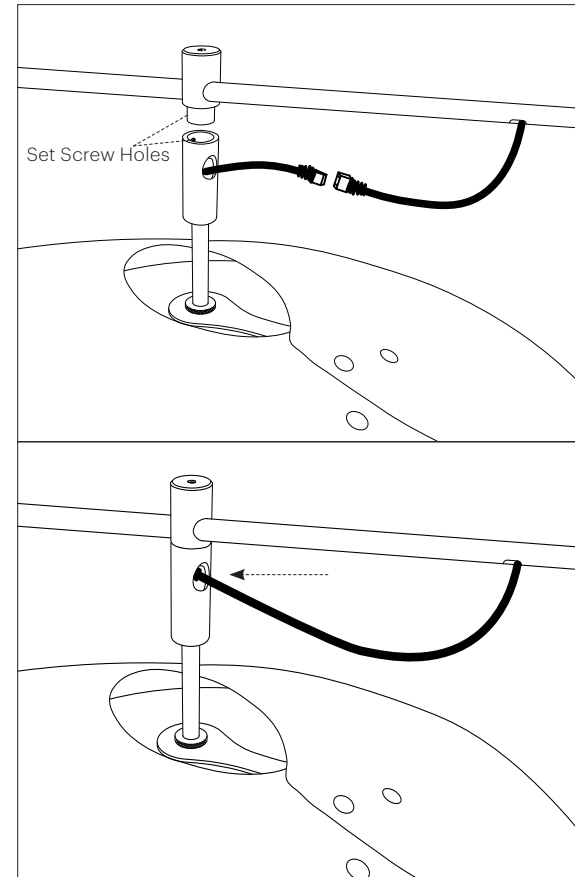
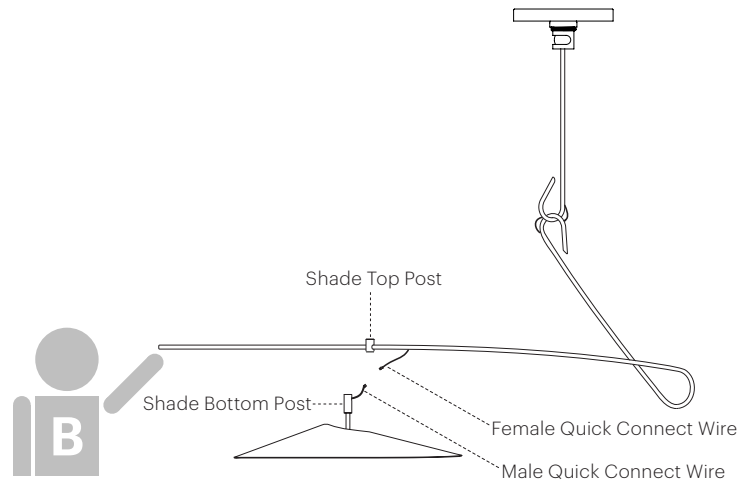
fixture. **DO NOT** wire directly, must use suggested power supply.

2. Once all wires are connected and excess wire is safely inside J-box, screw other 8-32 screw into J-box and tighten canopy mount to ceiling.
3. Remove label **1** packaging from drop.

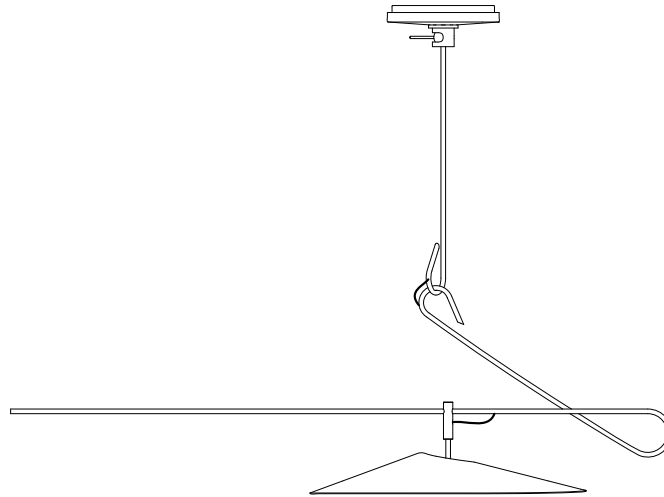
220-240V areas



4. Place the canopy cover over the canopy mount. Screw the canopy nut on to hold the cover in place. Screw the brass arm back into the brass ball.



1. Remove shade from box. Shade box includes glass, handle with care. Keep the bubble wrap located between the glass inside the shade until install is completed.
2. Orient the shade post so that the set screw holes are aligned then gently insert the bottom post into the top post. Once holes are aligned, secure the set screw using an Allen Key so that it is flush.
3. Once shade post is attached, connect the female and male quick connect wires. Slide the excess wire and connection point into the shade bottom post hole until you can no longer see the connection point. See diagram above.
4. Once shade is secured, carefully remove bubble wrap located between the glass inside shade. **DO NOT** use razor blade to open bubble wrap; shade scratches easily.
5. Glass diffuser in shade may move during travel. To put the diffuser back in place, gently shift glass so that it falls into the lip of the heat sink. Be careful of LED board.



1. Fixture tiers are oriented in house based off of client drawing.
2. Orient fixture to desired location by rotating brass arm on canopy. DO NOT attempt to turn fixture past stopping point on canopy.