

Thank you for your purchase of a David Weeks Studio lighting fixture. We use only the highest quality UL compliant components from the USA and Europe. Each lamp is fabricated and assembled in our Brooklyn, NY shop. We make every effort to produce our lights to the highest standards.

Whiplash Chain Pendant, 3 Tier

No 462 INSTALL INSTRUCTIONS

Warranty

- David Weeks Studio (DWS) will guarantee its products to be free from defects in workmanship for a period of three (3) years from date of shipment. Parts and materials are guaranteed to be free of defects for one (1) year from date of shipment. During this warranty period, DWS will repair or replace, at its option, free of charge, products or parts that are proven to be defective. This warranty does not apply to damages resulting from accident, abuse, alteration, tampering, misuse, mishandling, or negligence. Defective products will be replaced within the normal production time period required to reorder and manufacture the same product.
- Transportation of fixtures in need of repair will be the responsibility of buyer. Handling of fixtures in transport will be the responsibility of buyer. DWS will not be held responsible for damages which occur during installation, or by transportation after the initial packing material is removed. DWS will not be responsible for any products subjected to inappropriate application or fixtures installed or modified in any way that is not in accordance with DWS instructions. Any modification of fixtures absolves DWS of any liability and voids warranty.

Important!

- Please do not remove the fixture from rigid packaging prior to installation.
- Before installation ensure power supply is disconnected at fuse box.
- Fixtures are designed for normal climate conditions.
- Lighting is for use in dry locations and indoor environments.
- This lamp must be installed in accordance with the applicable installation code by a person familiar with the construction and operation of the product and the hazards involved.

Care Instructions

- Arms, hardware and shades can be cleaned with any mild spray cleaner or soft cloth to remove fingerprints or dust. Do not touch or clean LEDs.

Power Supply

- For 120V areas: included in canopy
- **For 220-240V areas: remote power supply only. Not included. To be sourced locally per specification on product data sheet.**
- **DO NOT wire directly without remote power supply.**

Lamping

- Integrated LED

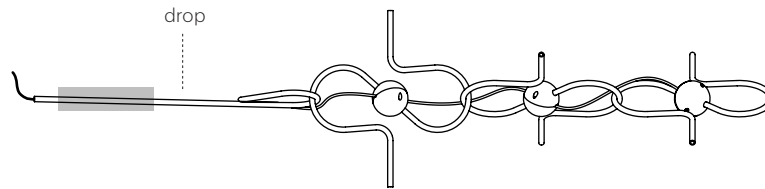
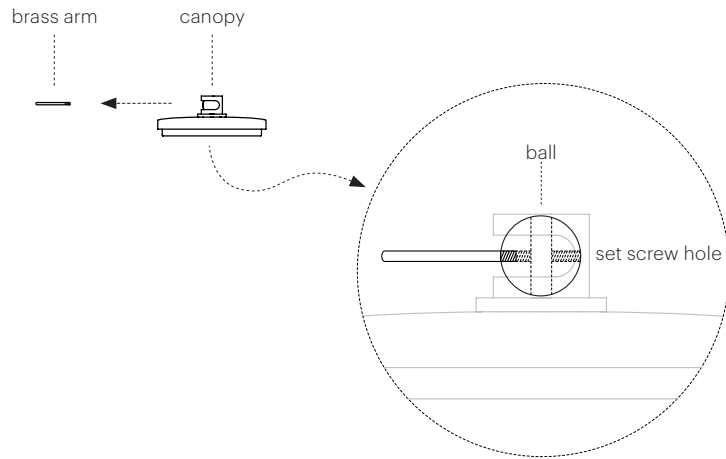
Tools

- Allen Key

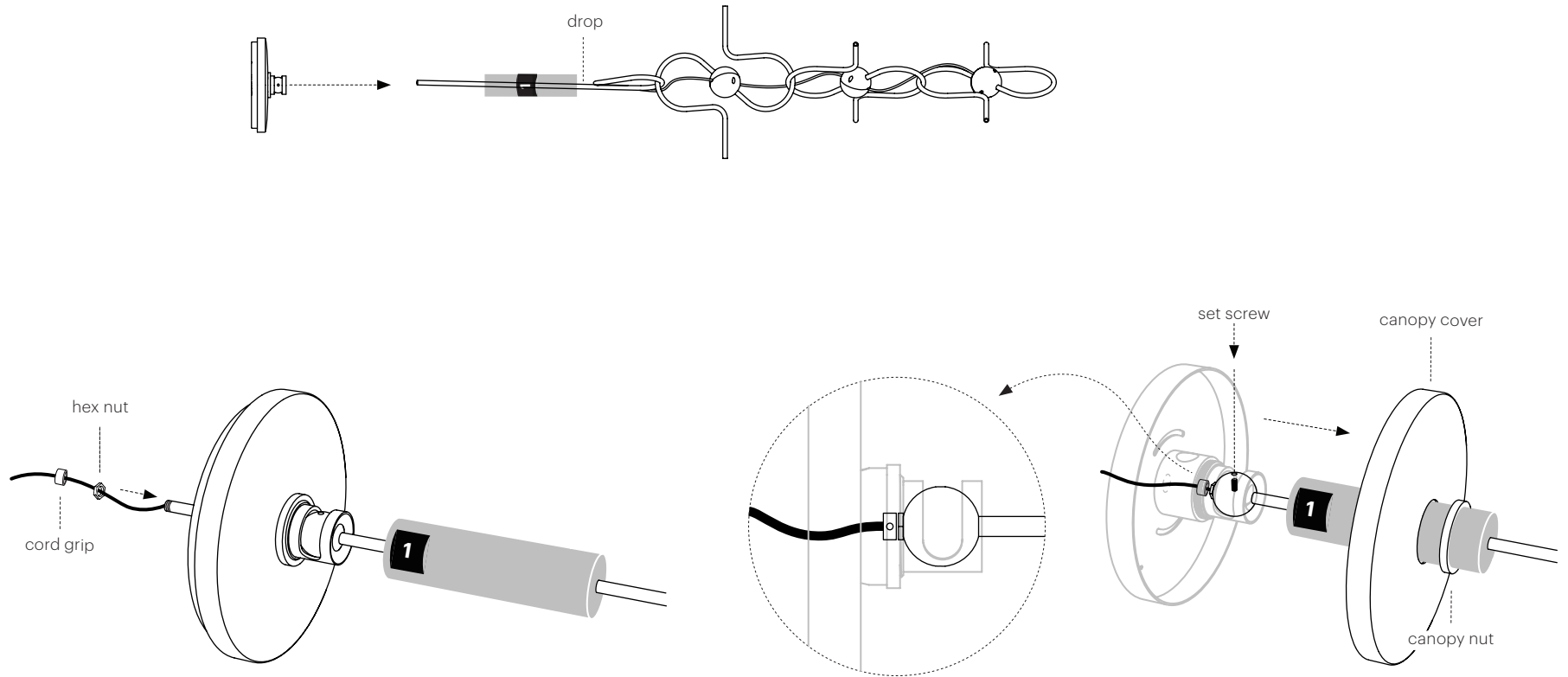
Parts

- Cord Grip
- Hex Nut

1

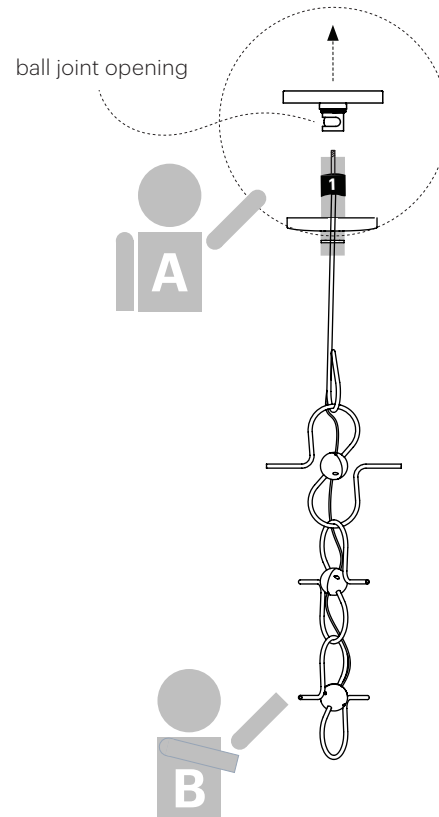


1. All fixtures are built for standard 4" U.S. J-box.
2. Minimum of two people are required as per instructions for proper and safe installation of fixture.
3. Fixtures weigh between 45-55 lbs. Make sure location has adequate support; additional weight support recommended for junction box installation.
4. Leave wrapping on shade until installation is complete. DO NOT use razor blade to open bubble wrap; shades scratch easily. Remove all brown paper and other wrapping on the drop of the fixture.
5. Turn off circuit breaker connected to junction box (J-box) where fixture is being installed.
6. Lay fixture and canopy carefully on a padded flat surface as shown above. Make sure hooks stay linked prior to and during installation.
7. Remove all brown paper.
8. Take the canopy, unscrew the brass arm from the ball and leave the set screw in place on the other side.

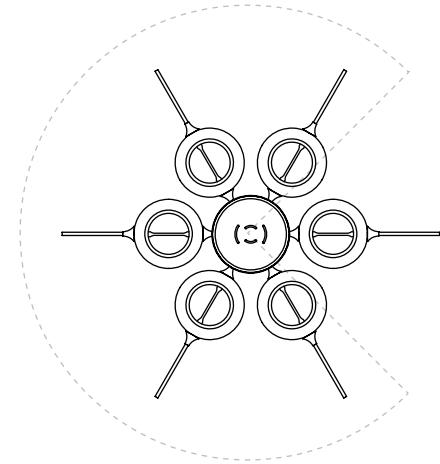


1. Carefully slide canopy over drop until drop comes out from the other side of canopy to reveal threads.
2. Screw provided hex nut to drop, secure provided cord grip to wire above hex nut and slide canopy all the way back until hex nut sits against ball.
3. Find set screw hole on ball and rotate until it faces upward. Secure ball on drop by tightening set screw. This will ensure fixture has correct range of motion.
4. Unscrew canopy nut to separate canopy cover. Secure canopy cover and canopy nut on label **1** packaging.

3



Angle fixture gently to accommodate installation



1. Two people are required as per instructions for proper and safe installation of fixture.

2. Person A picks up the drop, while person B lifts and hold the tiers, making sure wire isn't twisted and hooks are securely linked. See drawing above.

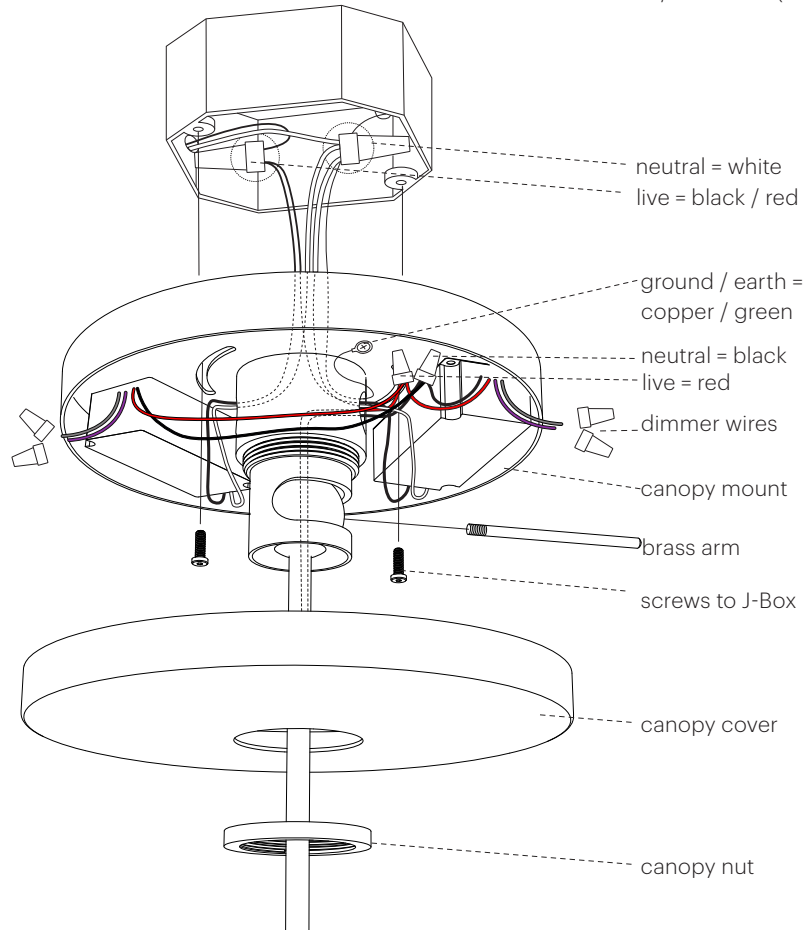
3. Person A moves the fixture slowly upward to junction box (J-Box).

4. Person A mounts the canopy to J-Box with one 8-32 screw. This will provide some support from J-box and room to complete wiring.

4

120V areas

ESS/ESST: 700 (X2)



1. Continue to support fixture, and connect each wire to its corresponding wire between the power supply and the J-box: live to live, neutral to neutral, and ground to ground in J-box. Use wire nuts to secure wires, and wrap the connection in electrical tape.

DO NOT disconnect the red, black, and purple wires from the power source to the fixture. **DO NOT** wire directly, must use suggested power supply. Dimmer wires are optional, nut and electrical tape if not needed.

2. Once all wires are connected and excess wire is safely inside J-box, screw other 8-32 screw into J-box and tighten canopy mount to ceiling.

3. Place the canopy cover over the canopy mount. Screw the canopy nut on to hold the cover in place. Screw the brass arm back into the brass ball.

5

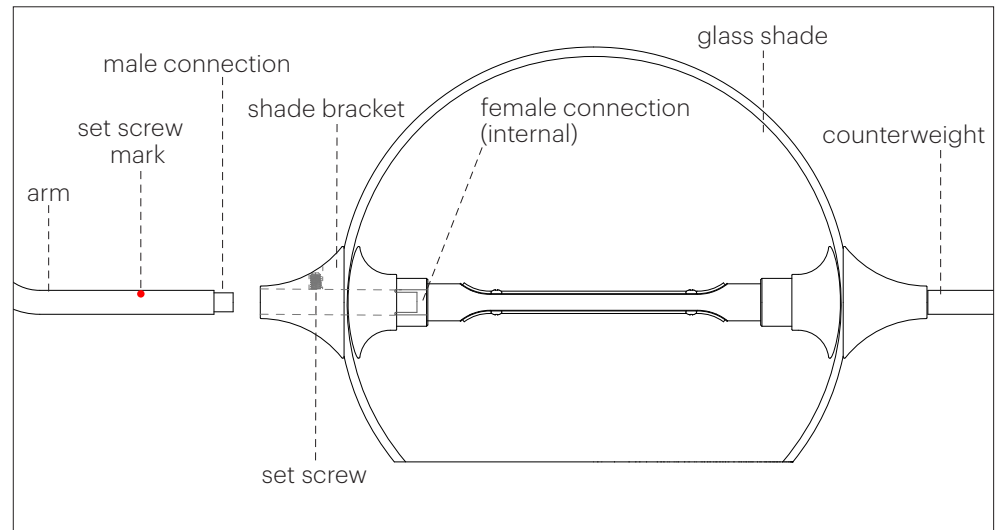
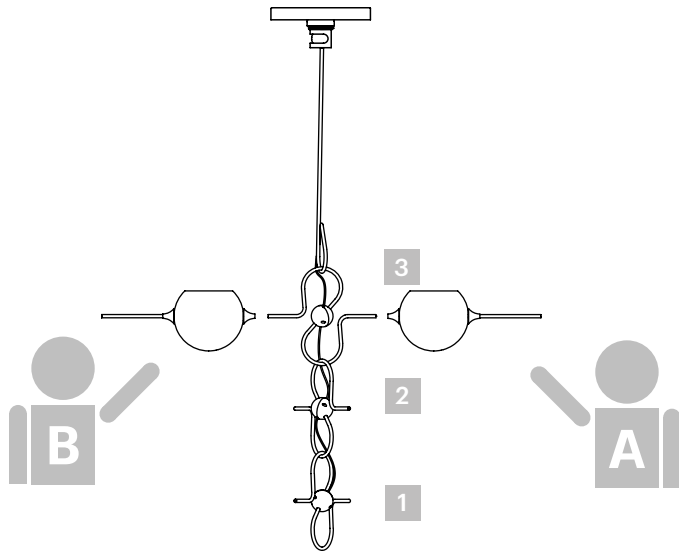


FIG A

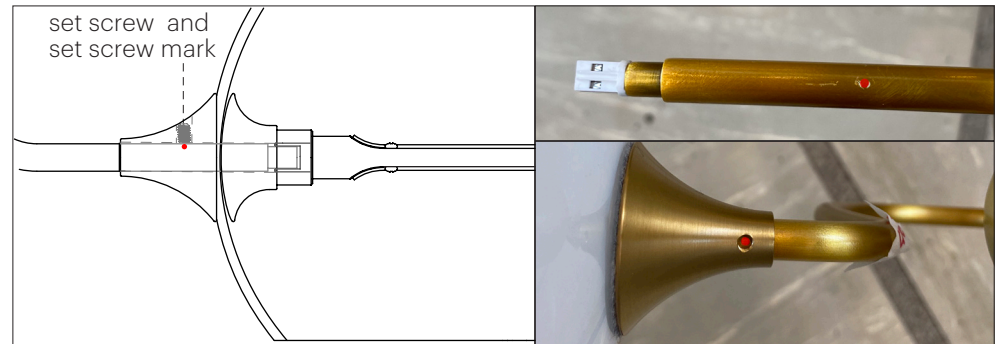
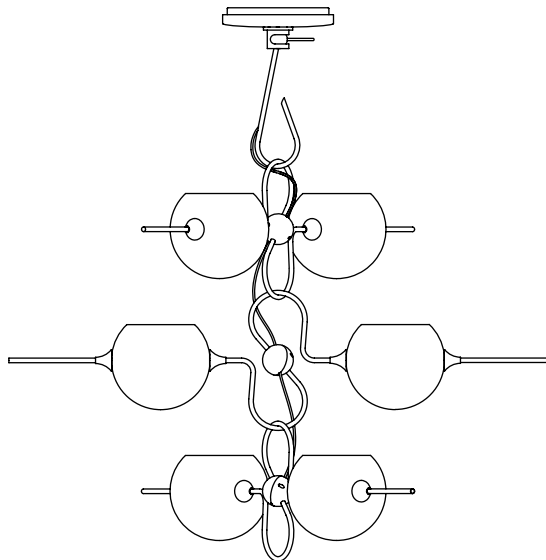


FIG B

9. Two people are needed per shade install, tier should be supported at all times until shade install is complete on tier. Start install of shades from the top down.
10. **Carefully** remove glass shade from packaging. Each shade is tier specific, each shade is labeled T1 through T3, T3 being the top and T1 being the bottom.
11. Person A slide shade assembly onto arm (FIG A) until you feel the male connection lock into the female connection and red set screw mark is visible through set screw hole on bracket (FIG B). Person B should continue to support the other side of the tier.
12. Person A should continue to support shade and then other side of arm while person B secures shade to arm using the provided set screw. A red dot will be marked on each arm where the set screw will be located, note that not all set screws are straight up and down (FIG A & B).
13. Person B should then support tier as person A attaches shade to other side of tier, repeating steps above.
14. Repeat steps for each tier until all shades are attached.
15. Shades can be rotated gently once installed, only rotate the glass, **DO NOT** attempt to rotate the LEDs or counterweight.



1. Orient fixture to desired location by rotating brass arm on canopy. **DO NOT** attempt to turn fixture past stopping point on canopy.