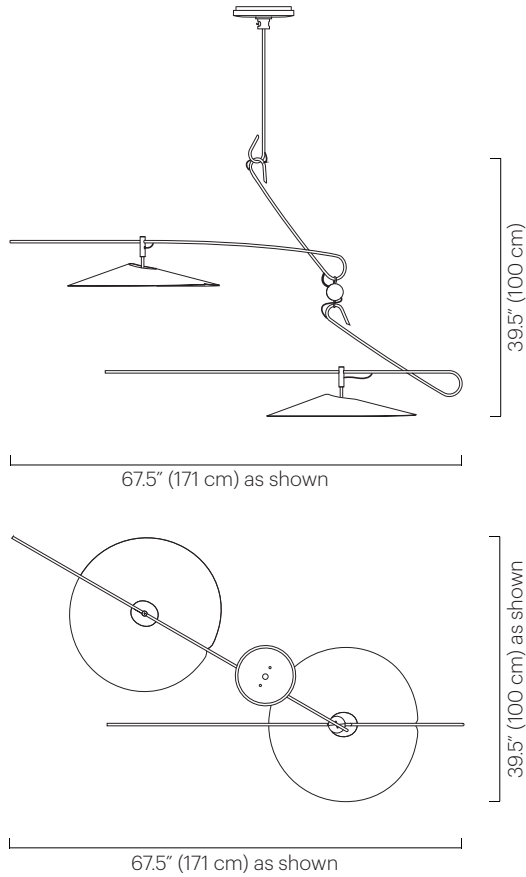


Treble Tiered Mobile, 2 Tier

TECHNICAL SPECIFICATIONS

No. 452



Description

The Treble Tiered Mobile features two tiers of different lengths that balance on asymmetrical axes, which allows gentle movement. Each tier has one Treble shade constructed from a flat cut aluminum pattern held together in tension, illuminated by a dimmable LED with an acrylic diffuser. The fixture can rotate 245° from the canopy. Tier rotation is adjustable and can be set on site.

Materials

Shade: Powder coated aluminum
 Ceiling mount: Powder coated aluminum and steel.
 Frame: Plated brass
 Drop: Plated brass
 Lamp enclosure: Acrylic, aluminum, steel and plated brass.

Shade Color

- Black Satin (ivory satin interior)
- Grey Gloss (ivory satin interior)
- Ivory Satin (ivory satin interior)
- White Satin (white satin interior)

Custom colors available.

Anodized:

- Polished Black (matte gold interior)
- Polished Black (red ombre interior)

Finish

- Brushed Brass
- Polished Nickel

Custom finishes available.

Lamping

LED: Warm white 2700K
 Lumens: 2400 (equivalent to two 75W incandescent bulbs)
 CRI: 80+
 50,000 LED life hours (approx.)

Power Supply

60W 24V
 For 120V areas: dimmable Class 2 included in canopy.
 For 220-240V areas: remote power supply only. Not included.

Dimmer Compatibility

ELV Dimmer compatible

Voltage / Wattage

24V / 23W

Weight

15 lbs (6.8 kg)

Remarks

Each fixture is handmade and therefore may vary up to 3" in overall height due to the counterbalancing nature. Specify drop length. Arm and frame lengths are fixed. Shade does not rotate. Fixed drop not adjustable on site.

Remarks continued

Not for use on sloped ceilings. Black exterior electrical cord is standard. Hardware finish consistent with frame finish. Ceiling mount consistent with shade color. Additional weight support recommended for junction box installation. Indoor use and dry locations only.

Dimensions

Tier 1: 52.5" (133 cm)
 Tier 2: 57" (145 cm)
 Max. dimensions: 90" L x 23" W (229 L x 58 cm W)
 Canopy mount: 9" Ø x 3.5" H (23 Ø x 9 cm H)
 Shade: 23" Ø x 4" H (58 Ø x 10 cm H)
 Min. overall height: 47.5" (121 cm)



David Weeks Studio

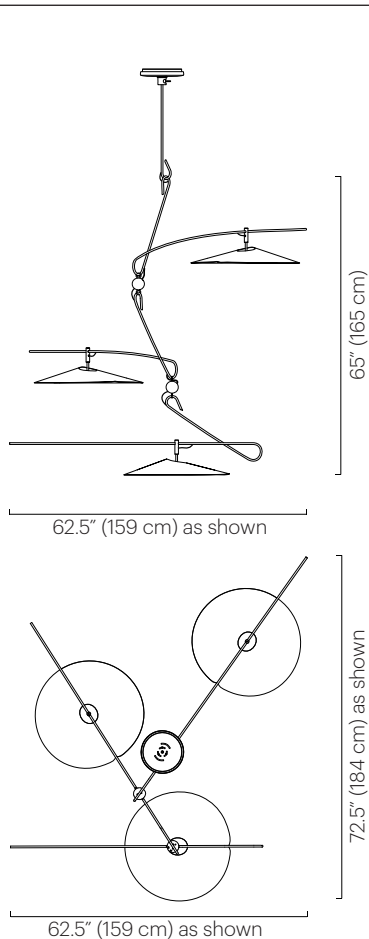
STUDIO
 1818 Atlantic Ave.
 Brooklyn, NY 11233
 212 966 3433

sales@DavidWeeksStudio.com
 www.DavidWeeksStudio.com

Treble Tiered Mobile, 3 Tier

TECHNICAL SPECIFICATIONS

No. 452



Description

The Treble Tiered Mobile features three tiers of different lengths that balance on asymmetrical axes, which allows gentle movement. Each tier has one Treble shade constructed from a flat cut aluminum pattern held together in tension, illuminated by a dimmable LED with an acrylic diffuser. The fixture can rotate 245° from the canopy. Tier rotation is adjustable and can be set on site.

Materials

Shade: Powder coated aluminum
Ceiling mount: Powder coated aluminum and steel.
Frame: Plated brass
Drop: Plated brass
Lamp enclosure: Acrylic, aluminum, steel and plated brass.

Shade Color

- Black Satin (ivory satin interior)
- Grey Gloss (ivory satin interior)
- Ivory Satin (ivory satin interior)
- White Satin (white satin interior)

Custom colors available.

Anodized:

- Polished Black (matte gold interior)
- Polished Black (red ombre interior)

Finish

- Brushed Brass
- Polished Nickel

Custom finishes available.

Lamping

LED: Warm white 2700K
Lumens: 3600 (equivalent to three 75W incandescent bulbs)
CRI: 80+
50,000 LED life hours (approx.)

Power Supply

60W 24V
For 120V areas: dimmable Class 2 included in canopy.
For 220-240V areas: remote power supply only. Not included.

Dimmer Compatibility
ELV Dimmer compatible

Voltage / Wattage
24V / 35W

Weight
25 lbs (11.3) kg

Remarks
Each fixture is handmade and therefore may vary up to 3" in overall height due to the counterbalancing nature. Specify drop length. Arm and frame lengths are fixed. Shade does not rotate. Fixed drop not adjustable on site.

Remarks continued

Not for use on sloped ceilings. Black exterior electrical cord is standard. Hardware finish consistent with frame finish. Ceiling mount consistent with shade color. Additional weight support recommended for junction box installation. Indoor use and dry locations only.

Dimensions

Tier 1: 52.5" (133 cm)
Tier 2: 57" (145 cm)
Tier 3: 63" (160 cm)
Max. dimensions: 108.5" L x 23" W (267 L x 58 cm W)
Canopy mount: 9" Ø x 3.5" H (23 Ø x 9 cm H)
Shade: 23" Ø x 4" H (58 Ø x 10 cm H)
Min. overall height: 73" (185 cm)



David Weeks Studio

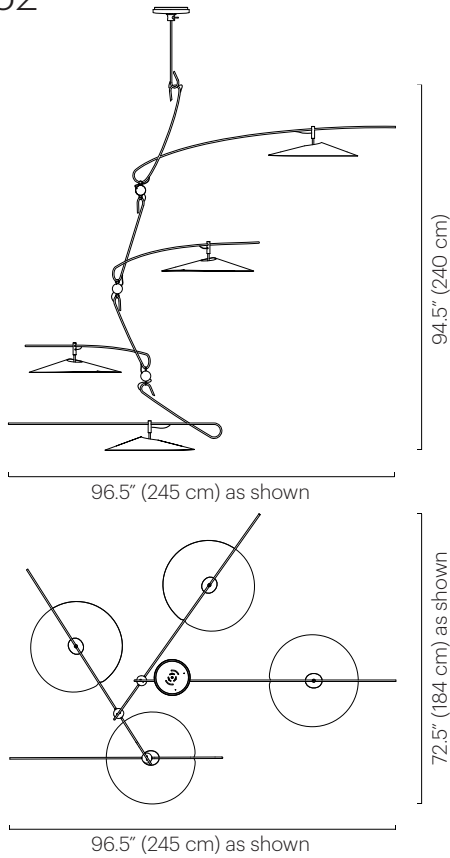
STUDIO
1818 Atlantic Ave.
Brooklyn, NY 11233
212 966 3433

sales@DavidWeeksStudio.com
www.DavidWeeksStudio.com

Treble Tiered Mobile, 4 Tier

TECHNICAL SPECIFICATIONS

No. 452



Description

The Treble Tiered Mobile features four tiers of different lengths that balance on asymmetrical axes, which allows gentle movement. Each tier has one Treble shade constructed from a flat cut aluminum pattern held together in tension, illuminated by a dimmable LED with an acrylic diffuser. The fixture can rotate 245° from the canopy. Tier rotation is adjustable and can be set on site.

Materials

Shade: Powder coated aluminum
Ceiling mount: Powder coated aluminum and steel.
Frame: Plated brass
Drop: Plated brass
Lamp enclosure: Acrylic, aluminum, steel and plated brass.

Shade Color

- Black Satin (ivory satin interior)
- Grey Gloss (ivory satin interior)
- Ivory Satin (ivory satin interior)
- White Satin (white satin interior)

Custom colors available.

Anodized:

- Polished Black (matte gold interior)
- Polished Black (red ombre interior)

Finish

- Brushed Brass
- Polished Nickel

Custom finishes available.

Lamping

LED: Warm white 2700K
Lumens: 4800 (equivalent to four 75W incandescent bulbs)
CRI: 80+
50,000 LED life hours (approx.)

Power Supply

60W 24V
For 120V areas: dimmable Class 2 included in canopy.
For 220-240V areas: remote power supply only. Not included.

Dimmer Compatibility

ELV Dimmer compatible

Voltage / Wattage

24V / 46 W

Weight

30 lbs (13.6 kg)

Remarks

Each fixture is handmade and therefore may vary up to 3" in overall height due to the counterbalancing nature. Specify drop length. Arm and frame lengths are fixed. Shade does not rotate. Fixed drop not adjustable on site.

Remarks continued

Not for use on sloped ceilings. Black exterior electrical cord is standard. Hardware finish consistent with frame finish. Ceiling mount consistent with shade color. Additional weight support recommended for junction box installation. Indoor use and dry locations only.

Dimensions

Tier 1: 52.5" (133 cm)
Tier 2: 57" (145 cm)
Tier 3: 63" (160 cm)
Tier 4: 65" (165 cm)
Max. dimension: 122" L x 23" W (310 L x 58 cm W)
Canopy mount: 9" Ø x 3.5" H (23 Ø x 9 cm H)
Shade: 23" Ø x 4" H (58 Ø x 10 cm H)
Min. overall height: 102.5" (260 cm)

**David
Weeks
Studio**



STUDIO
1818 Atlantic Ave.
Brooklyn, NY 11233
212 966 3433

sales@DavidWeeksStudio.com
www.DavidWeeksStudio.com