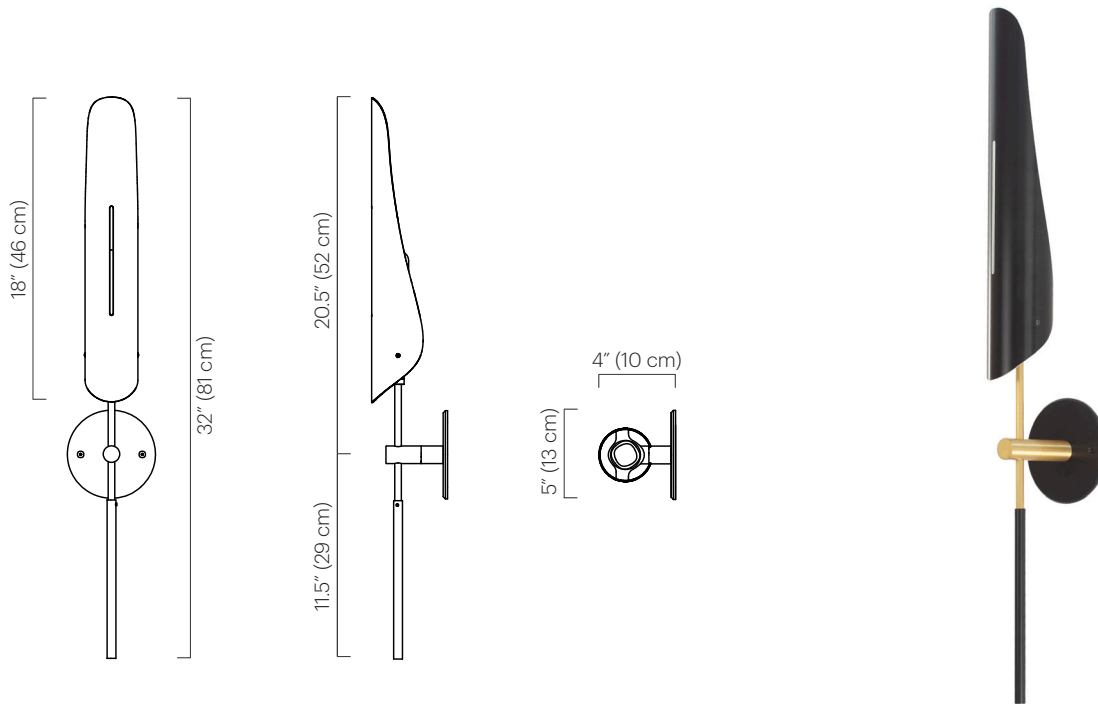


No. 221



Description

The Sarus Sconce features two arms on opposing sides affixed to a powder coated steel wall mount. A single shade is balanced upright with a counterweight. The shade swivels 320° to cast light directionally.

Materials

Shade: Powder coated aluminum
 Wall mount: Powder coated steel
 Hardware: Plated brass
 Arm: Plated steel
 Counterweight: Powder coated steel

Mount & Shade Color

- Black Satin (ivory satin interior)
- Grey Gloss (ivory satin interior)
- Ivory Satin (ivory satin interior)
- White Satin (white satin interior)

Custom colors available.

Finish

- Polished Nickel
- Brushed Brass
- Oil Rubbed Bronze

Custom finishes available.

Lamping

120V: T10 tubular incandescent medium base
 60W max
 220-240V: E27 base (tubular 32mm suggested) 60W max
 Note: Bulbs not included.
 Halogen bulbs not recommended.

Tala T38 LED Bulb

(Available per request)
 110-120V~/ 6W/ 420 lm/ 3000K
 T38, E26
 3.7" L x 4.7" ø
 ETL

Wattage

60 watts max

Weight

5lb (2.3 kg)

Remarks

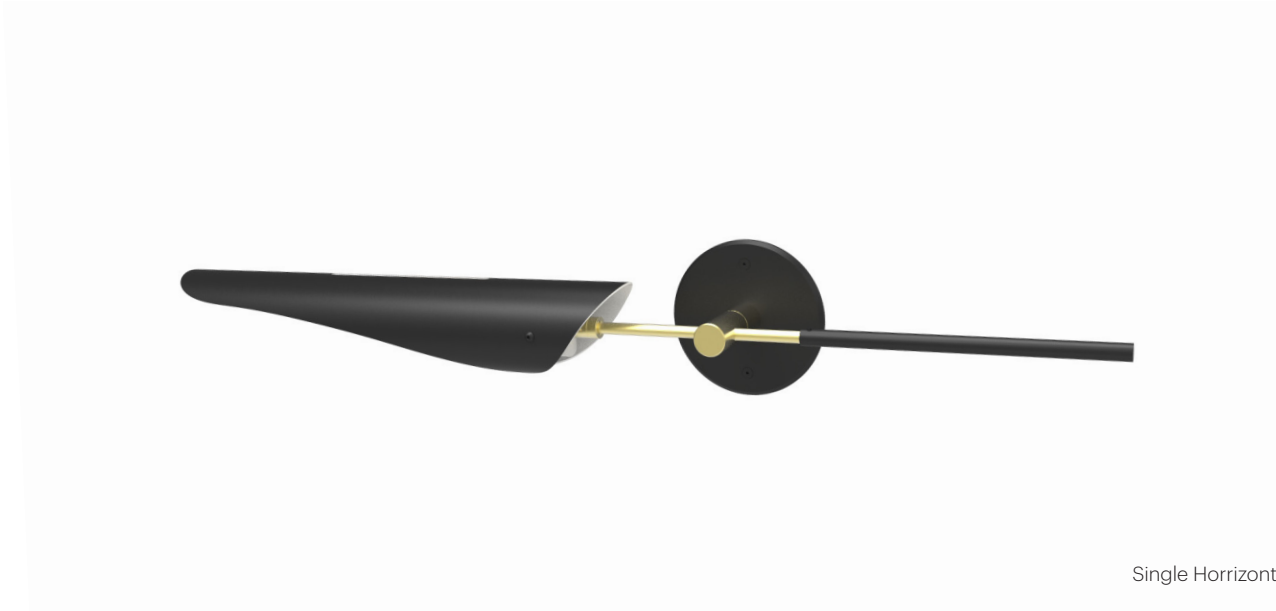
UL Listed.
 Hardwired is standard.
 Indoor use and dry locations only.
 Wall mount consistent with shade color.
 Counterweights are black.
 ADA compliant.

Dimensions

Single: 4" D x 5" W x 32" H
 (10 D x 13 W x 81 cm H)
 Wall mount diameter: 5" (13 cm)
 Shade: 18" L x 3" ø
 (46 L x 8 ø cm)



No. 221

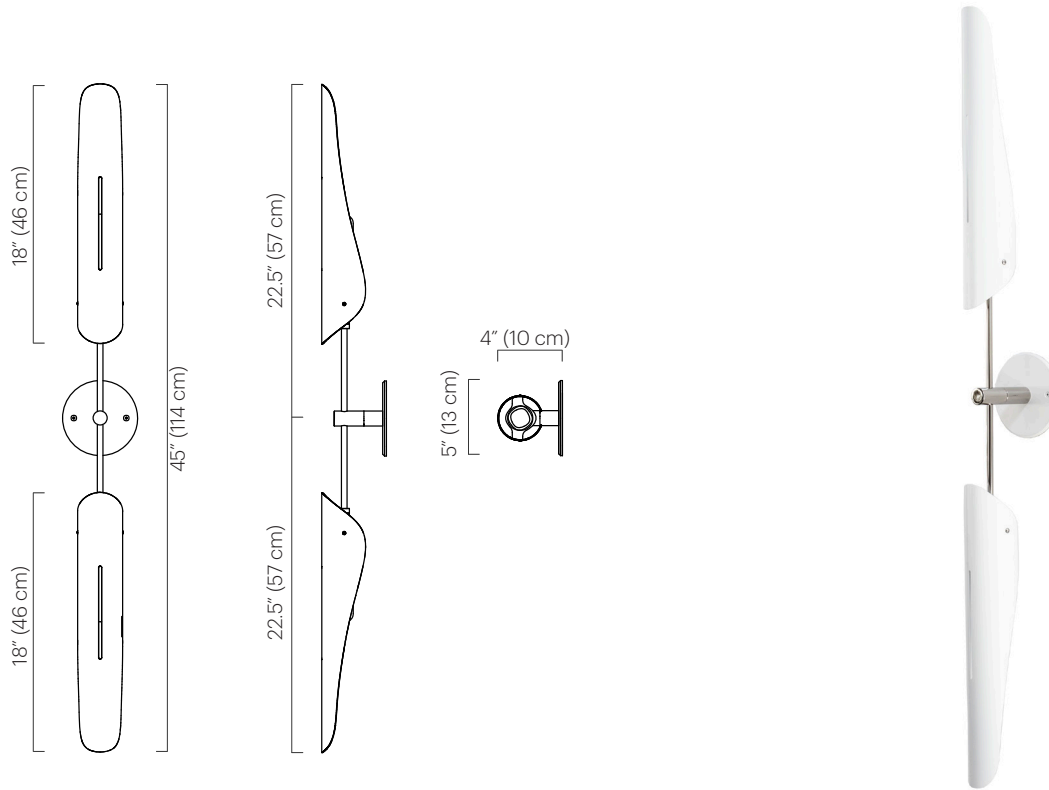


Single Horizontally Wall Mounted



Single Flush Mount Ceiling Mounted

No. 223



Description

The Sarus Sconce features two arms on opposing sides affixed to a powder coated steel wall mount. The shades swivel 320° to cast light directionally.

Materials

Shade: Powder coated aluminum
 Wall mount: Powder coated steel
 Hardware: Plated brass
 Arm: Plated steel
 Counterweight: Powder coated steel

Mount & Shade Color

- Black Satin (ivory satin interior)
- Grey Gloss (ivory satin interior)
- Ivory Satin (ivory satin interior)
- White Satin (white satin interior)

Custom colors available.

Finish

- Polished Nickel
- Brushed Brass
- Oil Rubbed Bronze

Custom finishes available.

Lamping

120V: (2) T10 tubular incandescent medium base
 60W max
 220-240V: (2) E27 base (tubular 32mm suggested) 60W max
 Note: Bulbs not included.
 Halogen bulbs not recommended.

Tala T38 LED Bulb

(Available per request)
 110-120V~/ 6W/ 420 lm/ 3000K
 T38, E26
 3.7" L x 4.7" ø
 ETL

Wattage

120 watts max

Weight

5lb (2.3 kg)

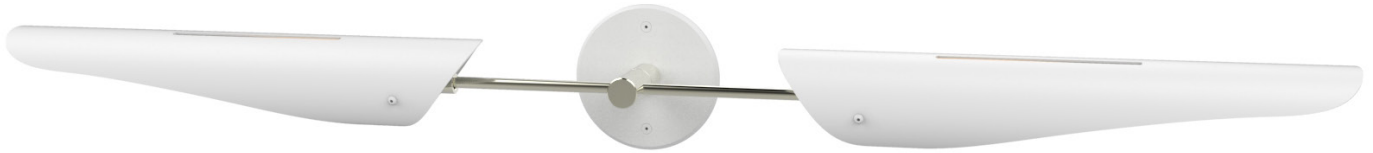
Remarks

UL Listed.
 Hardwired is standard.
 Indoor use and dry locations only.
 Wall mount consistent with shade color.
 Counterweights are black.
 ADA compliant.

Dimensions

4" D x 5" W x 45" H
 (10 D x 13 W x 114 cm H)
 Wall mount diameter: 5" (13 cm)
 Shade: 18" L x 3" ø
 (46 L x 8 ø cm)

No. 223



Double Horizontally Wall Mounted



Double Flush Mount Ceiling Mounted