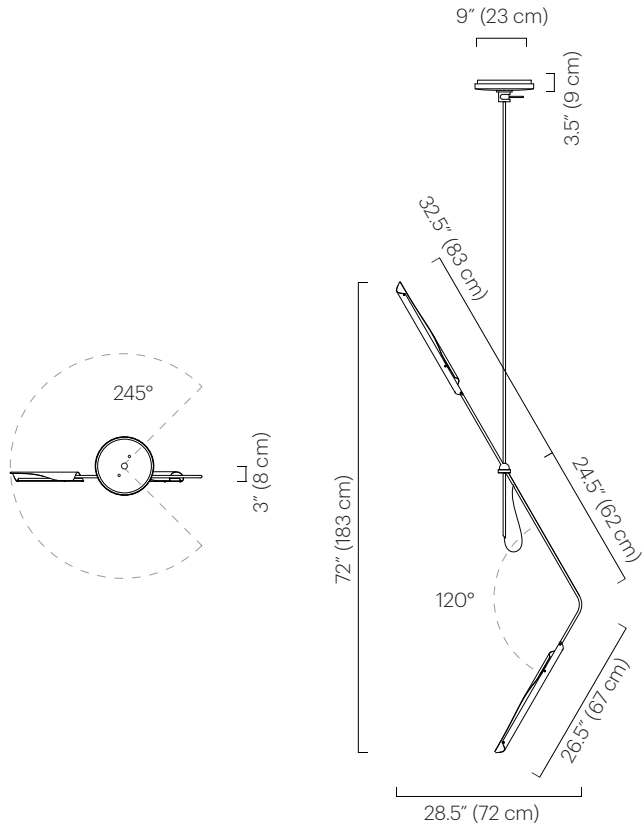


OTTO LS Pendant

TECHNICAL SPECIFICATIONS

No. 446



Description

The OTTO LS features one bent arm with an OTTO shade on each end. The OTTO shades contain a dimmable LED source and rotate 300° to cast light directionally. The fixture can rotate 245° from the canopy. Fixture is balanced by design; angle is not adjustable.

Materials

Shade: Powder coated aluminum
Ceiling mount: Powder coated and plated aluminum
Frame: Plated brass
Drop: Plated brass
Hardware: Plated and polished brass

Shade Color

- Black Satin (ivory satin interior)
- Grey Gloss (ivory satin interior)
- Ivory Satin (ivory satin interior)
- White Satin (white satin interior)

Custom colors available.

Finish

- Brushed Brass
- Polished Nickel
- Oil Rubbed Bronze

Custom finishes available.

Lamping

LED: Warm white 2700K
Lumens: 1000 (equivalent to two 40W incandescent bulbs)
CRI: 80+
50,000 LED life hours (approx.)

Power Supply

60W 24V
For 120V areas: dimmable Class 2 included in canopy.
For 220-240V areas: remote power supply only. Not included.

Dimmer Compatibility

Dimmable with MLV/TRIAC (leading edge) switch

Voltage / Wattage

24V / 22 watts

Weight

5 lbs (2.3 kg)

Remarks

Specify drop length.
Fixed drop not adjustable on site.
Arm length is fixed.
Not for use on sloped ceilings.
Black exterior electrical cord is standard.
Hardware finish consistent with frame finish.
Ceiling mount consistent with shade color.
Additional weight support recommended for junction box installation.
Indoor use and dry locations only.
Specify number of tiers

Dimensions

3" D x 28.5" W x 72" H
(8 D x 72 W x 183 cm H)
Canopy mount: 9" Ø x 3.5" H
(23 Ø x 9 cm H)
Shades: 1.5" Ø x 20" L
(4 Ø x 51 cm L)
Min overall height: 78"
(198 cm)



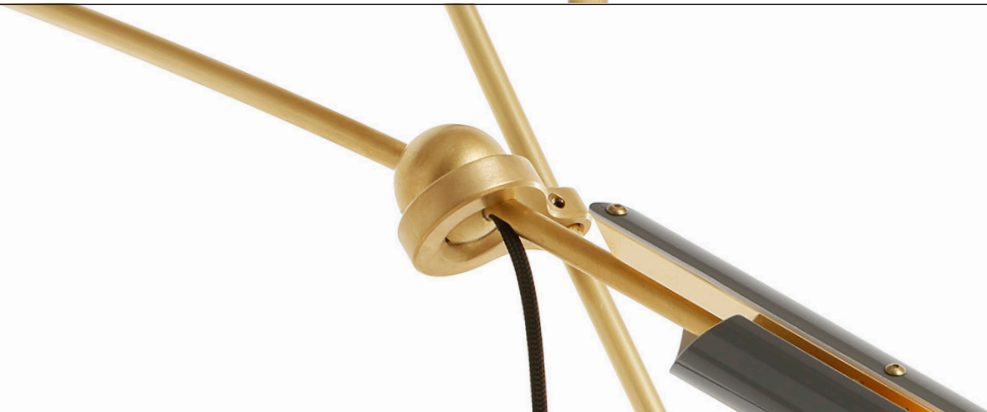
**David
Weeks
Studio**

STUDIO
281 Park Ave
Brooklyn, NY 11205
212 966 3433

sales@DavidWeeksStudio.com
www.DavidWeeksStudio.com



Canopy



Ball & Bracket



Shade