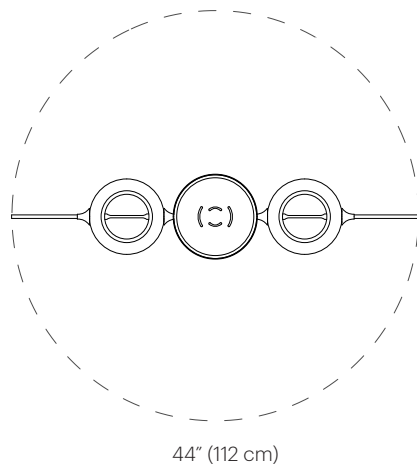
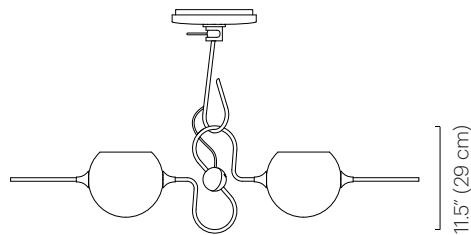


Whiplash Chain Pendant

TECHNICAL SPECIFICATIONS

No. 462



Description

The Whiplash Chain Pendant is a balanced fixture on an asymmetrical axis, which allows gentle movement. The fixture has two glass Whiplash shades, each shade is hand blown and illuminated by a dimmable LED. The fixture can rotate 245° from the canopy.

Materials

Shade: Glass
Ceiling mount: Powder coated aluminum and steel.
Frame: Plated brass
Drop: Plated brass
Hardware: Plated and polished brass

Shade Color

- White Ombre
- Black Ombre

Ceiling Mount Color

- Black Satin
- White Satin

Custom colors available.

Finish

- Brushed Brass
- Oil Rubbed Bronze

Custom finishes available.

Lamping

LED: Warm white 2700K
Lumens: 1400 (equivalent to two 60W incandescent bulb)
CRI: 90+
70,000 LED life hours (approx.)

Power Supply

20W 24V
For 120V areas: dimmable Class 2 included in canopy.
For 220-240V areas: dimmable Class 2 included in canopy.

Dimmer Compatibility

For 120V areas: 0-10V, TRIAC & ELV dimmable
For 220-240V areas: 0-10V, EVL (only at 230V) dimmable

Voltage / Wattage

24V /14W

Weight

10 lbs (4.5 kg)

Remarks

Each fixture is handmade and therefore may vary up to 2" in overall height due to the counterbalancing nature.

Remarks Continued

Specify drop length.
Arm and frame lengths are fixed. Fixed drop not adjustable on site. Shade does not rotate. Specify shade orientation. Specify number of tiers. Five tier maximum. Each tier has two shades. Not for use on sloped ceilings. Black exterior electrical cord is standard. Hardware finish consistent with frame finish. Specify ceiling mount color. Additional weight support recommended for junction box installation. Indoor use and dry locations only.

Dimensions

Fixture diameter: 44" (112 cm)
Fixture height: 11.5" (29 cm)
Canopy mount: 9" Ø x 3.5" H (23 Ø x 9 cm H)
Minimum overall height: 24" (61 cm)
Shade: 8" Ø x 7" H (20 Ø x 18 cm H)



**David
Weeks
Studio**

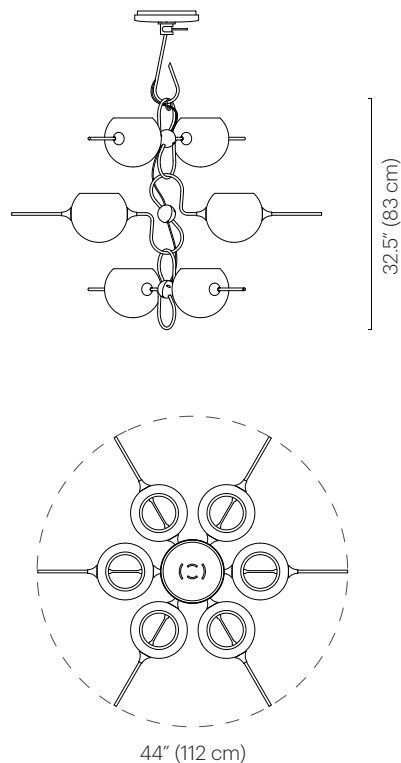
STUDIO
281 Park Ave
Brooklyn, NY 11205
212 966 3433

sales@DavidWeeksStudio.com
www.DavidWeeksStudio.com

Whiplash Chain Pendant, 3 Tier

TECHNICAL SPECIFICATIONS

No. 462



Description

The Whiplash Chain Pendant is a balanced fixture comprised of linked curves. The fixture has six glass Whiplash shades, each shade is hand blown and illuminated by a dimmable LED. The fixture can rotate 245° from the canopy. The quantity of the tiers can be specified.

Materials

Shade: Glass
Ceiling mount: Powder coated aluminum and steel.
Frame: Plated brass
Drop: Plated brass
Hardware: Plated and polished brass

Shade Color

- White Ombre
- Black Ombre

Ceiling Mount Color

- Black Satin
- White Satin

Custom colors available.

Finish

- Brushed Brass
- Oil Rubbed Bronze

Custom finishes available.

Lamping

LED: Warm white 2700K
Lumens: 4200 (equivalent to six 60W incandescent bulb)
CRI: 90+
70,000 LED life hours (approx.)

Power Supply

40W 24V
For 120V areas: dimmable Class 2 included in canopy.
For 220-240V areas: dimmable Class 2 included in canopy.

Dimmer Compatibility

For 120V areas: 0-10V, TRIAC & ELV dimmable
For 220-240V areas: 0-10V dimmable

Voltage / Wattage

24V / 39W

Weight

30 lbs (13.5 kg)

Remarks

Each fixture is handmade and therefore may vary up to 2" in overall height due to the counterbalancing nature. Specify drop length. Arm and frame lengths are fixed. Fixed drop not adjustable on site.

Remarks Continued

Shade does not rotate. Specify shade orientation. Specify number of tiers. Five tier maximum. Each tier has two shades. Not for use on sloped ceilings. Black exterior electrical cord is standard. Hardware finish consistent with frame finish. Specify ceiling mount color. Additional weight support recommended for junction box installation. Indoor use and dry locations only.

Dimensions

Fixture diameter: 44" (112 cm)
Fixture height: 32.5" (83 cm)
Canopy mount: 9" Ø x 3.5" H (23 Ø x 9 cm H)
Minimum overall height:
Three Tier: 43" (109 cm)
Two Tier: 34" (86 cm)
Single Tier: 24" (61 cm)
Shade: 8" Ø x 7" H (20 Ø x 18 cm H)



David Weeks Studio

STUDIO
281 Park Ave
Brooklyn, NY 11205
212 966 3433

sales@DavidWeeksStudio.com
www.DavidWeeksStudio.com